

Vision for Imagination

# MACHINE VISION STANDARD PRODUCT CATALOG



# Overview

## Area Scan Camera P8



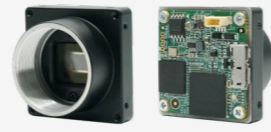
- Complete resolution distribution: 0.4MP-604MP
- Equipped data interface: GigE, USB3.0, 10GigE, Camera Link, CoaXPress, XoFLink

## Line scan camera P24



- Resolution distribution: 2k, 4k, 8k, 16k
- Equipped data interface: GigE, Camera Link, XoFLink

## Board Level Camera P28



- Single-board or multi-board stacking design, suitable for application scenarios with high space requirements
- Equipped data interface: GigE, USB3.0

## Industrial Infrared Camera P32



- Long Wave: The responsive wavelength range covers 8-14μm; visually present temperature information and measure temperature characteristics
- Short Wave: Equipped with InGaAs sensors, covering the visible light to short wave range of 0.4μm-1.7μm

## Frame Grabber P34



- Rich data interfaces are optional include GigE, 10GigE, USB3.0, Camera Link, CoaXPress, XoFLink

## Lens P38



- Comprehensive coverage of format and focal length
- Ultra-high image resolution and consistency

## Lighting P48



- Various shapes and wide range of illuminance, meeting the needs of conventional visual lighting applications
- High uniformity and consistency

## Light Controller P68



- Various Drive mode, stable and reliable performance
- Compatible with all light source product series

## Cable P74



- Support common interface types and lengths
- Provide stable power supply and data transmission

# CONTENTS

Overview	2	Lens	38
Machine Vision System	6	HF-E Series (1/1.8" 6MP)	39
Area Scan Camera	8	HF-P Series (1/1.8" 10MP)	40
CS Series Area Scan Camera	8	MF-E Series (2/3" 5MP)	41
CS Series GigE Area Scan Camera	8	MF Series (2/3" 8MP)	42
CS Series USB3.0 Area Scan Camera	11	KF-E Series (1.1" 12MP)	43
CU Series Universal Industrial Camera	12	KF-P Series (1.2" 25MP)	44
CU Series GigE Area Scan Camera	13	KF-P Anti Vibration Series (1.2" 25MP)	45
CU Series USB3.0 Area Scan Camera	15	AF Series (Half Frame Lens)	46
CH Series Area Scan Camera	16	LF Series (Large Image Circle Lens)	47
CH Series GigE Area Scan Camera	16	Lighting	48
CH Series USB3.0 Area Scan Camera	18	Ring-Type Lighting	48
CH Series 10GigE Area Scan Camera	19	Bar-Type Lighting	54
CH Series Camera Link Area Scan Camera	20	Linescan-Type Lighting	56
CH Series CoaXPress Area Scan Camera	21	Dot-Type Lighting	58
CH Series XoFLink Area Scan Camera	23	Coaxial-type lighting	60
Line Scan Camera	24	Flat-type lighting	62
CL Series GigE Line Scan Camera	24	Light Controller	68
CL Series Camera Link Line Scan Camera	26	Digital, Constant Voltage Light Controller	68
CL Series XoFLink Line Scan Camera	27	Digital Constant Current Light Controller	70
Board Level Camera	28	Analog, Constant Voltage Series Light Controller	72
CB Series GigE Board Level Camera	29	Cables	74
CB Series USB3.0 Board Level Camera	30	Data Cable	74
Industrial Infrared Camera	32	Camera Power Supply & IO Line	76
Frame Grabber	34	Industrial Camera Client and Software Development Kit	77
		Parameter Interpretation	78



## Hangzhou Hikrobot Co., Ltd.

Hikrobot is a global product and solution supplier specialized in machine vision and mobile robot. Focusing on IIoT, smart logistics and smart manufacturing, we build open cooperation ecosystem, provide service to industry and logistics customers, and commit to continuously promoting the intelligentization and leading the intelligent manufacturing process.

### Machine Vision

With efforts in industrial vision sensing application and hardware technology, the company provides customers with leading machine vision products. The products cover industrial camera, lens, vision box, industrial smart camera and related accessory.

Through rigorous EMC, safety and reliability tests, Hikrobot guarantees the high precision, high efficiency and high environmental performance of each product. The machine vision products are widely used in industrial automation sectors such as consumer electronics, semiconductors and logistics, as a part of the vision applications like positioning guidance, measurement, quality inspection, code reading, OCR, etc. They help users to greatly improve productivity, accuracy and stability.

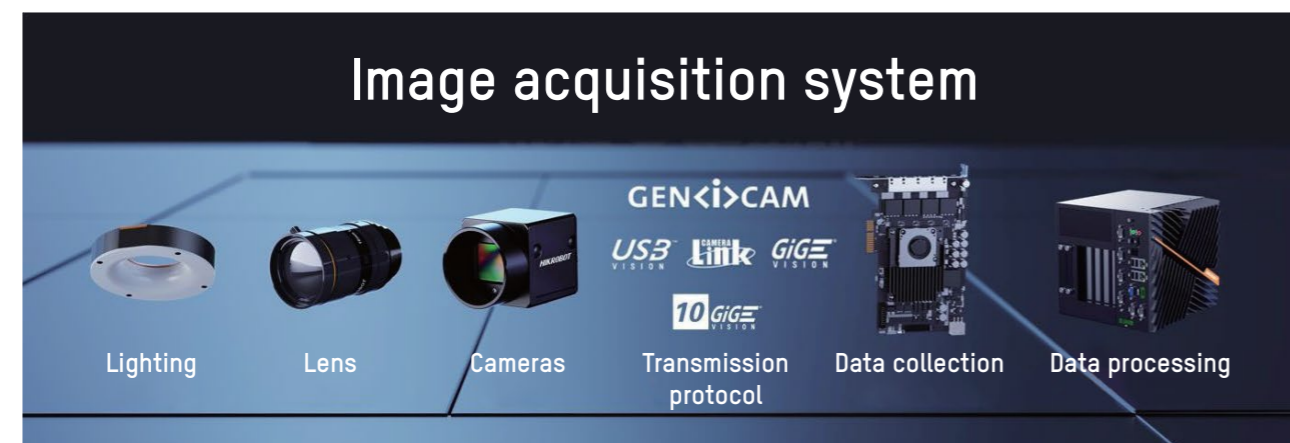


# Machine Vision System

## Product Background

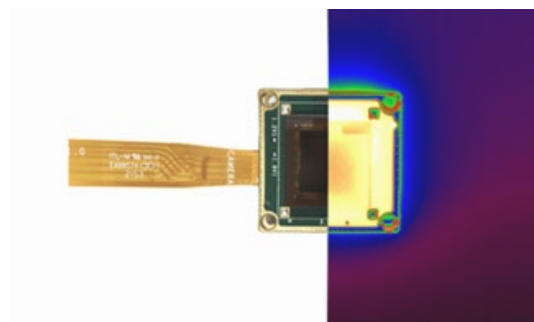
An excellent machine vision system needs to have basic features such as stable acquisition, efficient processing, execution accuracy, and high-quality images. In a typical image acquisition system, there are light source, lens, camera, acquisition protocols, data transmission and data processing. The camera cooperates with the lens and lighting unit to ensure high-quality original images and maximize the difference between target features and background, and carry out stable transmission and collection through a suitable transmission protocol. Finally, the target feature information is extracted from the background through software and perform efficient algorithm processing to obtain the target image.

Hikrobot is committed to providing customers with one-stop procurement services for visual systems. The products cover industrial area scan cameras, line scan cameras, board-level cameras, infrared cameras, and accessories such as frame grabbers, lenses, light sources, and cables. Realize the construction of visual systems for customers to meet various application needs in various industries.

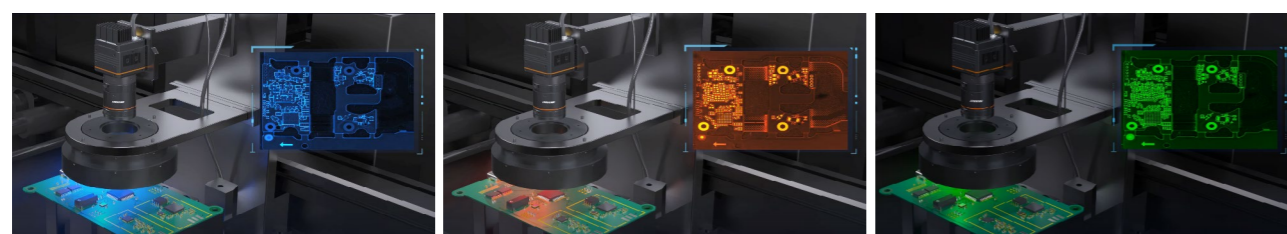


## Product Features

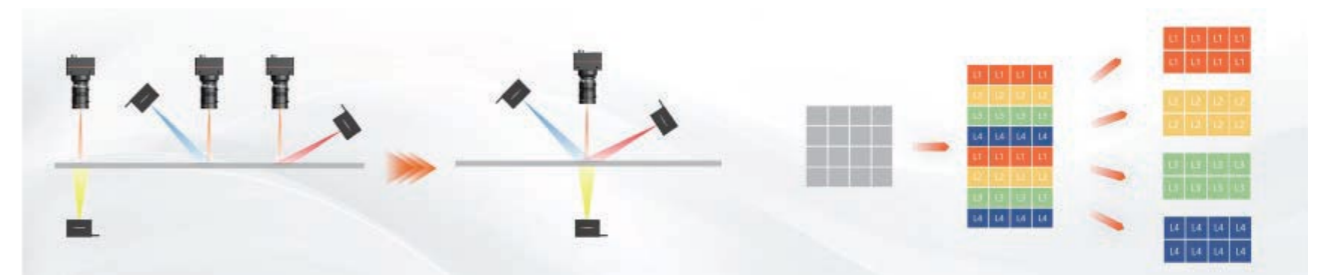
- More spectral coverage, suitable for rich application scenarios.



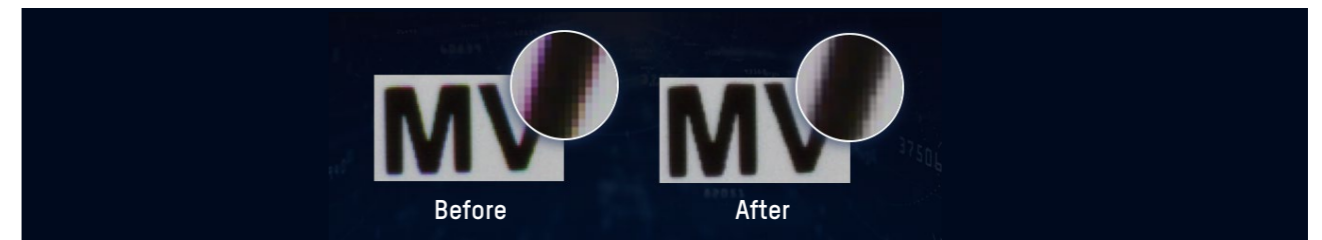
- Sequencer function support periodically acquire images according to the preset parameters and improve the acquisition efficiency.



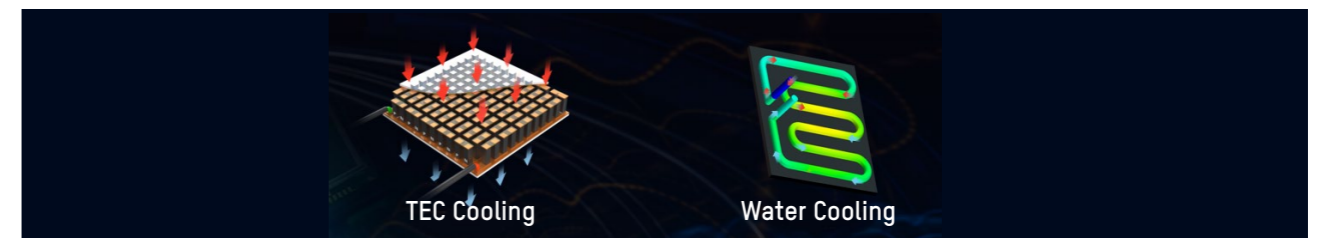
- The camera with multi-field image function can capture variety of defects combined with multiple lightings synchronously, effectively reducing the number of work stations and the cost of visual solutions.



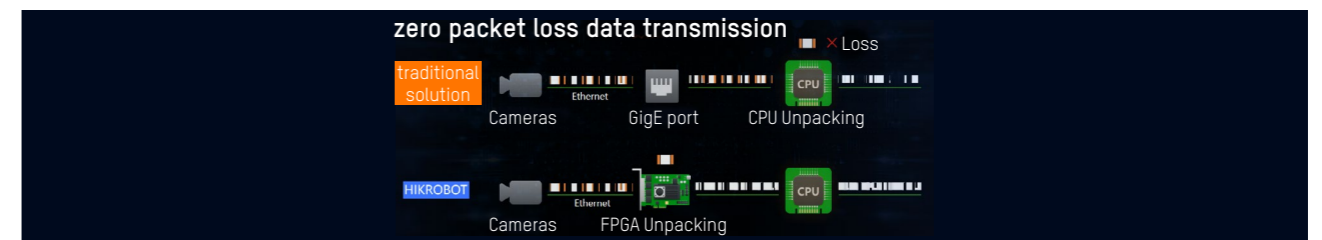
- Purple edge correction algorithm effectively suppressing image edge dispersion.



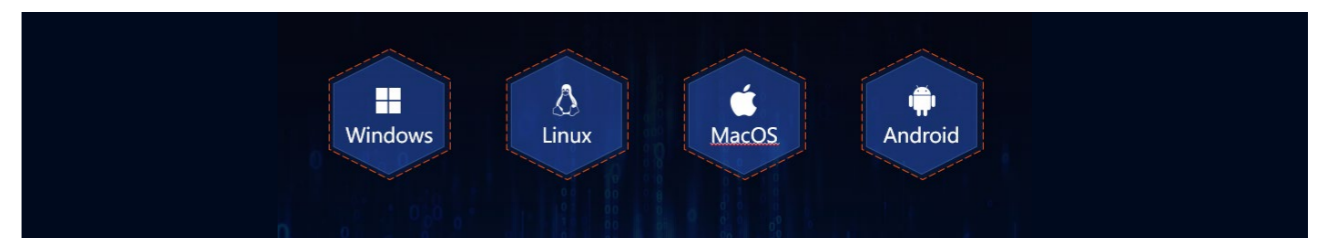
- The two methods will help the core components in camera to actively cool down and suppress thermal noise.



- Featured and innovative functions of frame grabber, no packet loss, low load at HOST end.



- The SDK compatibility is strong and adaptable to various development platforms.

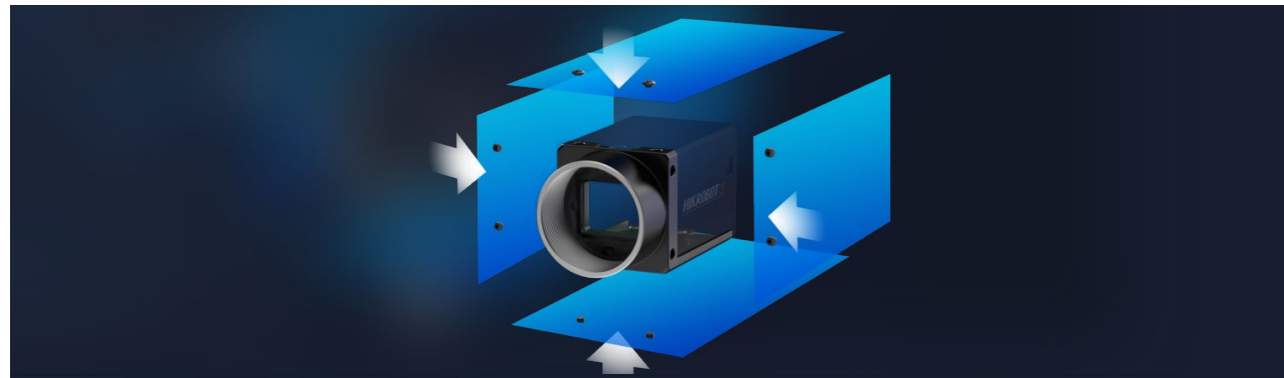




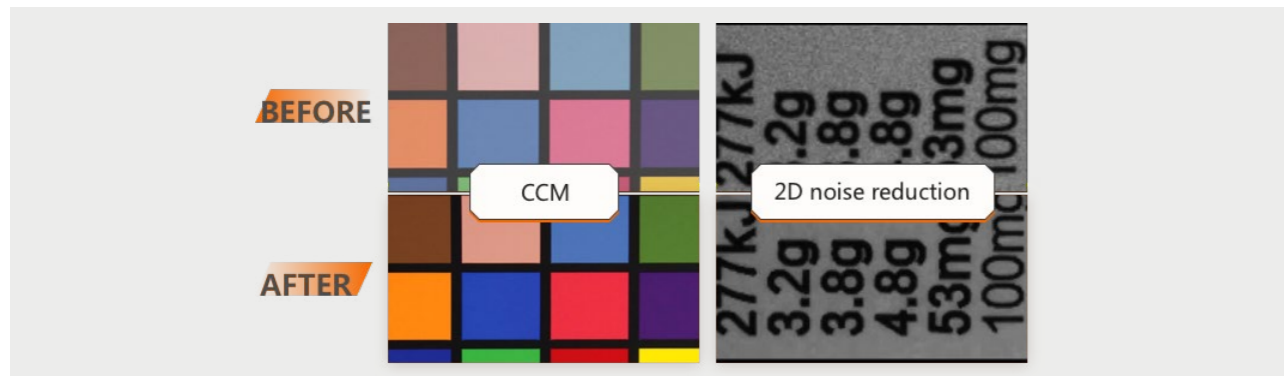
# Area Scan Camera

## CS Series Area Scan Camera

HIKROBOT released the 2nd generation of CS Series with technological breakthroughs from products appearance design, R&D to production management, which gives an upgraded experience to all end users.



Evolved performance, various scenarios adaptable



Upgraded imaging, built-in algorithms

## CS Series GigE Area Scan Camera



### Specifications

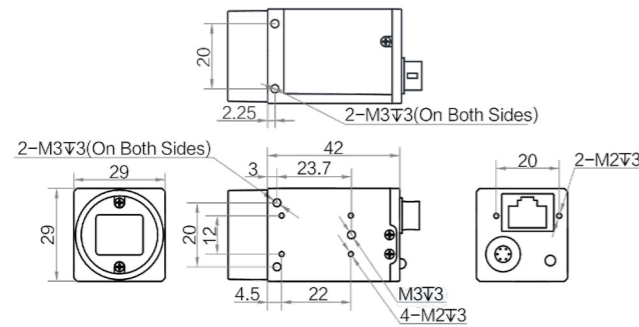
Model	Sensor model	Sensor size	Pixel size	Shutter mode	Resolution	Max. frame rate	Exposure time	Power consumption
MV-CS004-106M	IMX297	1/2.9"	6.9 μm	Global	720 × 540	125.2 fps	USE: 1 μs-14 μs NE: 15 μs-10 sec	Typ. 2.2 W@12 VDC
MV-CS004-106C	IMX297	1/2.9"	6.9 μm	Global	720 × 540	125.2 fps	USE: 1 μs-14 μs NE: 15 μs-10 sec	Typ. 2.5 W@12 VDC
MV-CS004-116M	IMX287	1/2.9"	6.9 μm	Global	720 × 540	312.9 fps	NE: 1 μs-10 sec	Typ. 2.2 W@12 VDC
MV-CS004-116C	IMX287	1/2.9"	6.9 μm	Global	720 × 540	312.9 fps	NE: 1 μs-10 sec	Typ. 2.4 W@12 VDC

Model	Sensor model	Sensor size	Pixel size	Shutter mode	Resolution	Max. frame rate	Exposure time	Power consumption
MV-CS013-606N *	HK	2/3"	6.9 μm	Global	1224 × 1024	60 fps	NE: 5 μs-10 sec	Typ. 2.3 W@12 VDC
MV-CS016-106M	IMX296	1/2.9"	3.45 μm	Global	1440 × 1080	65.2 fps	USE: 1 μs-14 μs NE: 15 μs-10 sec	Typ. 2.4 W@12 VDC
MV-CS016-106C	IMX296	1/2.9"	3.45 μm	Global	1440 × 1080	65.2 fps	USE: 1 μs-14 μs NE: 15 μs-10 sec	Typ. 2.5 W@12 VDC
MV-CS020-106M	IMX430	1/1.7"	4.5 μm	Global	1624 × 1240	60 fps	USE: 1 μs-5 μs NE: 6 μs-10 sec	Typ. 2.8 W@12 VDC
MV-CS020-106C	IMX430	1/1.7"	4.5 μm	Global	1624 × 1240	60 fps	USE: 1 μs-5 μs NE: 6 μs-10 sec	Typ. 3.0 W@12 VDC
MV-CS020-216M	OnSemi	2/3"	4.5 μm	Global	1920 × 1200	51.3 fps	USE: 9 μs-59 μs NE: 60 μs-10 sec	Typ. 2.8 W@12 VDC
MV-CS023-106M	IMX249	1/1.2"	5.86 μm	Global	1920 × 1200	41 fps	NE: 15 μs-10 sec	Typ. 2.2 W@12 VDC
MV-CS023-106C	IMX249	1/1.2"	5.86 μm	Global	1920 × 1200	41 fps	NE: 15 μs-10 sec	Typ. 2.6 W@12 VDC
MV-CS032-106M	IMX265	1/1.8"	3.45 μm	Global	2048 × 1536	38.1 fps	USE: 1 μs-14 μs NE: 15 μs-10 sec	Typ. 2.2 W@12 VDC
MV-CS032-106C	IMX265	1/1.8"	3.45 μm	Global	2048 × 1536	38.1 fps	USE: 1 μs-14 μs NE: 15 μs-10 sec	Typ. 2.4 W@12 VDC
MV-CS050-106M	IMX264	2/3"	3.45 μm	Global	2448 × 2048	24.2 fps	USE: 1 μs-14 μs NE: 15 μs-10 sec	Typ. 2.6 W@12 VDC
MV-CS050-106C	IMX264	2/3"	3.45 μm	Global	2448 × 2048	24.2 fps	USE: 1 μs-14 μs NE: 15 μs-10 sec	Typ. 2.9 W@12 VDC
MV-CS050-106M-PRO	IMX264	2/3"	3.45 μm	Global	2448 × 2048	35.6 fps	USE: 1 μs-14 μs NE: 15 μs-10 sec	Typ. 2.6 W@12 VDC
MV-CS050-106C-PRO	IMX264	2/3"	3.45 μm	Global	2448 × 2048	35.6 fps	USE: 1 μs-14 μs NE: 15 μs-10 sec	Typ. 2.9 W@12 VDC
MV-CS050-206M	XGS5000	2/3"	3.2 μm	Global	2592 × 2048	22.7 fps	USE: 23 μs-99 μs NE: 100 μs-10 sec	Typ. 2.5 W@12 VDC
MV-CS050-206C	XGS5000	2/3"	3.2 μm	Global	2592 × 2048	22.7 fps	USE: 23 μs-99 μs NE: 100 μs-10 sec	Typ. 2.7 W@12 VDC
MV-CS050-606M	HK	2/3"	3.45 μm	Global	2448 × 2048	23 fps	NE: 5 μs-10 sec	Typ. 2.3 W@12 VDC
MV-CS050-606C	HK	2/3"	3.45 μm	Global	2448 × 2048	23 fps	NE: 5 μs-10 sec	Typ. 2.5 W@12 VDC
MV-CS060-106M	IMX178	1/1.8"	2.4 μm	Rolling	3072 × 2048	19.1 fps	NE: 25 μs-2.5 sec	Typ. 2.4 W@12 VDC

Model	Sensor model	Sensor size	Pixel size	Shutter mode	Resolution	Max. frame rate	Exposure time	Power consumption
MV-CS060-106C	IMX178	1/1.8"	2.4 μm	Rolling	3072 × 2048	19.1 fps	NE: 25 μs-2.5 sec	Typ. 2.4 W@12 VDC
MV-CS060-106M-PRO	IMX178	1/1.8"	2.4 μm	Rolling	3072 × 2048	30.7 fps	NE: 25 μs-2.5 sec	Typ. 2.4 W@12 VDC
MV-CS060-106C-PRO	IMX178	1/1.8"	2.4 μm	Rolling	3072 × 2048	30.7 fps	NE: 25 μs-2.5 sec	Typ. 2.5 W@12 VDC
MV-CS200-106M	IMX183	1"	2.4 μm	Rolling	5472 × 3648	5.9 fps	NE: 46 μs-2.5 sec	Typ. 2.4 W@12 VDC
MV-CS200-106C	IMX183	1"	2.4 μm	Rolling	5472 × 3648	5.9 fps	NE: 46 μs-2.5 sec	Typ. 2.5 W@12 VDC

Notice: \* will be released soon, please consult details with sales representative  
 USE: Ultra-short exposure mode  
 NE: Normal exposure mode

## Dimension



Unit:mm

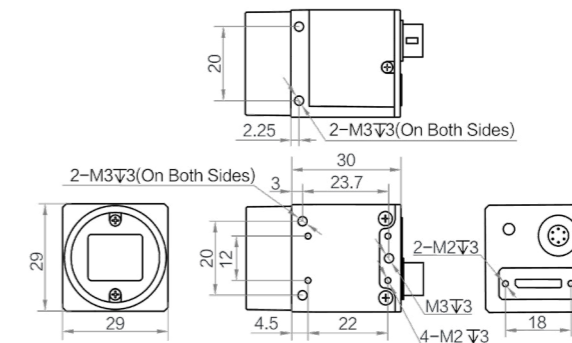
# CS Series USB3.0 Area Scan Camera

## Specifications

Model	Sensor model	Sensor size	Pixel size	Shutter mode	Resolution	Max. frame rate	Exposure time	Power consumption
MV-CS004-10UM	IMX287	1/2.9"	6.9 μm	Global	720 × 540	526.5 fps	USE: 1 μs-14 μs NE: 15 μs-10 sec	Typ. 2.4 W@5 VDC
MV-CS004-10UC	IMX287	1/2.9"	6.9 μm	Global	720 × 540	526.5 fps	USE: 1 μs-14 μs NE: 15 μs-10 sec	Typ. 2.6 W@5 VDC
MV-CS016-10UM	IMX273	1/2.9"	3.45 μm	Global	1440 × 1080	249.1 fps	USE: 1 μs-14 μs NE: 15 μs-10 sec	Typ. 3.0 W@5 VDC
MV-CS016-10UC	IMX273	1/2.9"	3.45 μm	Global	1440 × 1080	249.1 fps	USE: 1 μs-14 μs NE: 15 μs-10 sec	Typ. 3.3 W@5 VDC
MV-CS020-10UM	IMX430	1/1.7"	4.5 μm	Global	1624 × 1240	90 fps	USE: 1 μs-5 μs NE: 6 μs-10 sec	Typ. 2.3 W@5 VDC
MV-CS020-10UC	IMX430	1/1.7"	4.5 μm	Global	1624 × 1240	90 fps	USE: 1 μs-5 μs NE: 6 μs-10 sec	Typ. 2.4 W@5 VDC
MV-CS028-10UM	IMX421	2/3"	4.5 μm	Global	1936 × 1464	132.2 fps	USE: 1 μs-5 μs NE: 9 μs-10 sec	Typ. 2.8 W@5 VDC
MV-CS040-A0UM	HK	1"	5.5 μm	Global	2048 × 2048	90.1 fps	NE: 30 μs-10 sec	Typ. 2.4 W@5 VDC
MV-CS040-A0UC *	HK	1"	5.5 μm	Global	2048 × 2048	90.1 fps	NE: 30 μs-10 sec	Typ. 2.4 W@5 VDC
MV-CS050-10UM	IMX264	2/3"	3.45 μm	Global	2448 × 2048	90.1 fps	NE: 30 μs-10 sec	Typ. 2.4 W@5 VDC
MV-CS050-10UC	IMX264	2/3"	3.45 μm	Global	2448 × 2048	60 fps	USE: 1 μs-14 μs NE: 15 μs-10 sec	Typ. 2.8 W@5 VDC
MV-CS050-60UM	HK	2/3"	3.45 μm	Global	2448 × 2048	60 fps	NE: 5 μs-10 sec	Typ. 1.7 W@5 VDC
MV-CS050-60UC	HK	2/3"	3.45 μm	Global	2448 × 2048	60 fps	NE: 5 μs-10 sec	Typ. 1.8 W@5 VDC
MV-CS060-10UM-PRO	IMX178	1/1.8"	2.4 μm	Rolling	3072 × 2048	59.6 fps	NE: 32 μs-1 sec	Typ. 2.3 W@5 VDC
MV-CS060-10UC-PRO	IMX178	1/1.8"	2.4 μm	Rolling	3072 × 2048	59.6 fps	NE: 32 μs-1 sec	Typ. 2.5 W@5 VDC
MV-CS200-10UM	IMX183	1"	2.4 μm	Rolling	5472 × 3648	19.2 fps	NE: 44 μs-0.83 sec	Typ. 2.3 W@5 VDC
MV-CS200-10UC	IMX183	1"	2.4 μm	Rolling	5472 × 3648	19.2 fps	NE: 44 μs-0.83 sec	Typ. 2.3 W@5 VDC

Notice: \* will be released soon, please consult details with sales representative  
 USE: Ultra-short exposure mode  
 NE: Normal exposure mode

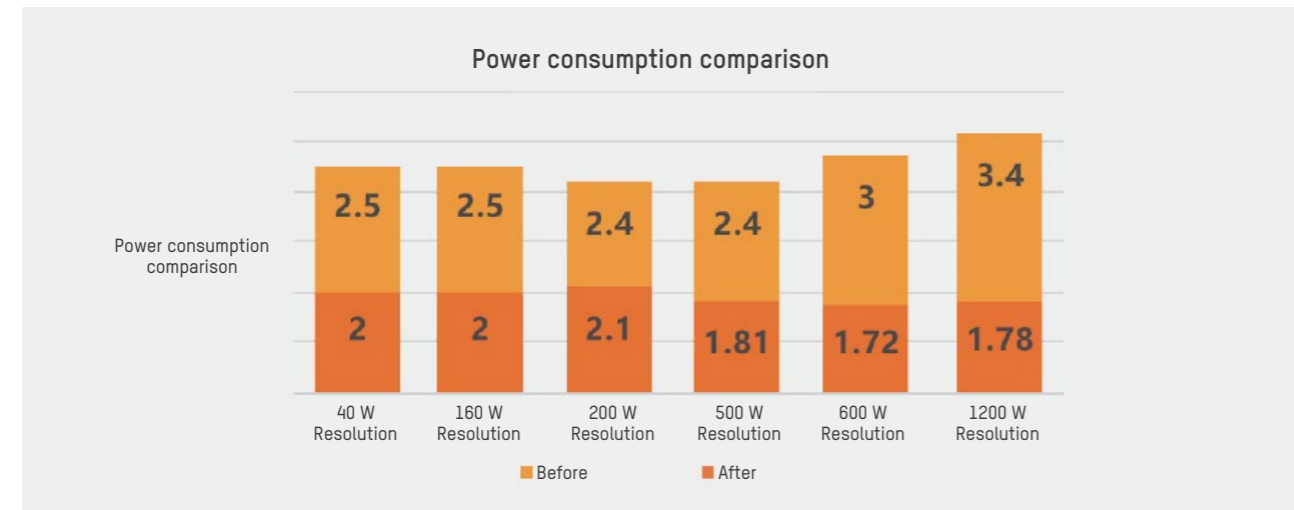
## Dimension



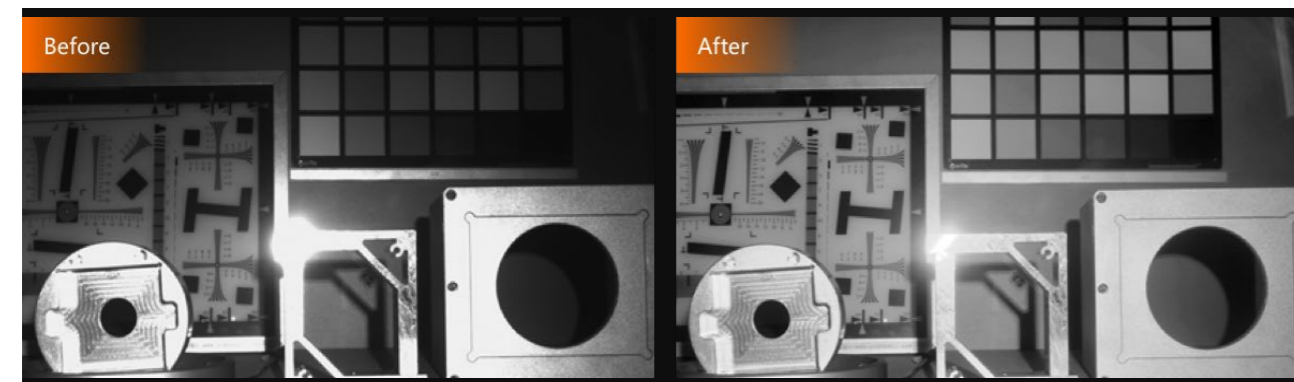
Unit:mm

## CU Series Universal Industrial Camera

The CU series is designed with low power-consuming platform and stable performance, which creates a universal industrial camera product that satisfies the requirements for stability and necessary functions, helping users to obtain vision applications more easily.



Ultra-low power supply, stable performance



Built-in image preprocessing

## CU Series GigE Area Scan Camera



### Specifications

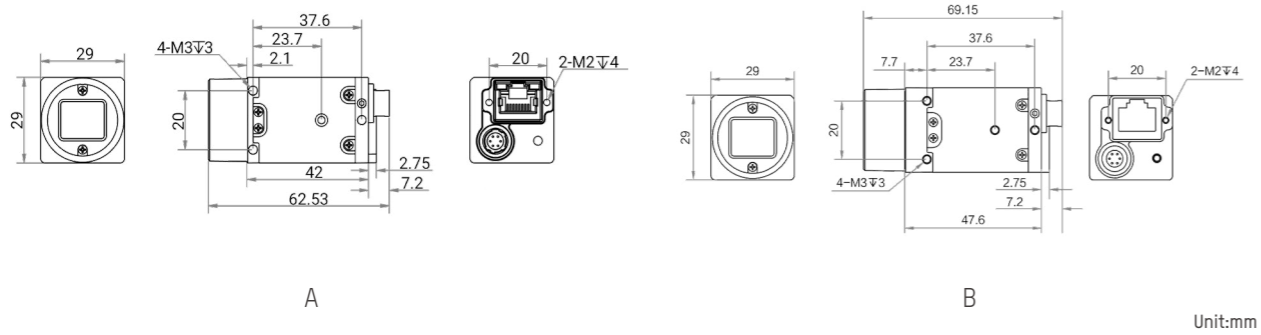
Model	Sensor model	Sensor size	Pixel size	Shutter mode	Resolution	Max. frame rate	Exposure time	Power consumption	Label
MV-CU004-106M	IMX297	1/2.9"	6.9 μm	Global	720 × 540	126.5 fps	USE: 1 μs-14 μs NE: 15 μs-10 sec	Typ. 2 W@12 VDC	A
MV-CU004-106C	IMX297	1/2.9"	6.9 μm	Global	720 × 540	126.5 fps	USE: 1 μs-14 μs NE: 15 μs-10 sec	Typ. 2 W@12 VDC	A
MV-CU013-806M	SS	1/2.7"	4.0 μm	Global	1280 × 1024	89.9 fps	NE: 31 μs-1 sec	Typ. 1.9 W@12 VDC	A
MV-CU013-806C	SS	1/2.7"	4.0 μm	Global	1280 × 1024	89.9 fps	NE: 31 μs-1 sec	Typ. 1.9 W@12 VDC	A
MV-CU013-A06M	HK	1/2"	4.8 μm	Global	1280 × 1024	91.3 fps	NE: 10 μs-10 sec	Typ. 1.8 W@12 VDC	A
MV-CU013-A06C	HK	1/2"	4.8 μm	Global	1280 × 1024	91.3 fps	NE: 10 μs-10 sec	Typ. 1.8 W@12 VDC	A
MV-CU016-106M	IMX296	1/2.9"	3.45 μm	Global	1440 × 1080	65.8 fps	USE: 1 μs-14 μs NE: 15 μs-10 sec	Typ. 2 W@12 VDC	A
MV-CU016-106C	IMX296	1/2.9"	3.45 μm	Global	1440 × 1080	65.8 fps	USE: 1 μs-14 μs NE: 15 μs-10 sec	Typ. 2 W@12 VDC	A
MV-CU020-196M	IMX290	1/2.8"	2.9 μm	Rolling	1920 × 1080	56 fps	NE: 64 μs-130 ms	Typ. 2.1 W@12 VDC	A
MV-CU020-196C	IMX290	1/2.8"	2.9 μm	Rolling	1920 × 1080	56 fps	NE: 128 μs-260 ms	Typ. 2.1 W@12 VDC	A
MV-CU020-806M *	SC235	1/2.6"	3.45 μm	Global	1600×1200	51 fps	NE: 24 μs-2.5 sec	Typ. 2.5 W@12 VDC	A
MV-CU020-806C *	SC235	1/2.6"	3.45 μm	Global	1600×1200	51 fps	NE: 24 μs-2.5 sec	Typ. 2.5 W@12 VDC	A
MV-CU020-906M	GMAX4002	1/1.7"	4 μm	Global	2048 × 1200	49 fps	NE: 4 us-10 sec	Typ. 1.9 W@12 VDC	A
MV-CU020-906C	GMAX4002	1/1.7"	4 μm	Global	2048 × 1200	49 fps	NE: 4 us-10 sec	Typ. 2 W@12 VDC	A
MV-CU050-306M	AR0521	1/2.5"	2.2 μm	Rolling	2592 × 1944	24 fps	NE: 21 μs-1 sec	Typ. 1.81 W@12 VDC	A
MV-CU050-306C	AR0521	1/2.5"	2.2 μm	Rolling	2592 × 1944	24 fps	NE: 21 μs-1 sec	Typ. 1.81 W@12 VDC	A
MV-CU050-606M	HK	1/2.5"	2.2 μm	Rolling	2592 × 1944	23.1 fps	NE: 24 μs-2.5 sec	Typ. 2.5 W@12 VDC	A
MV-CU050-906M	GMAX2505	1/2"	2.5 μm	Global	2600 × 2160	21 fps	NE: 3 μs-10 sec	Typ. 2.3 W@12 VDC	B
MV-CU050-906C	GMAX2505	1/2"	2.5 μm	Global	2600 × 2160	21 fps	NE: 3 μs-10 sec	Typ. 2.5 W@12 VDC	B



Model	Sensor model	Sensor size	Pixel size	Shutter mode	Resolution	Max. frame rate	Exposure time	Power consumption	Label
MV-CU060-106M	IMX178	1/1.8"	2.4 μm	Rolling	3072 × 2048	19.1 fps	NE: 25 μs-2.5 sec	Typ. 1.7 W@12 VDC	A
MV-CU060-106C	IMX178	1/1.8"	2.4 μm	Rolling	3072 × 2048	19.1 fps	NE: 25 μs-2.5 sec	Typ. 1.72 W@12 VDC	A
MV-CU120-106M	IMX226	1/1.7"	1.85 μm	Rolling	4024 × 3036	9.7 fps	NE: 34 μs-2 sec	Typ. 1.78 W@12 VDC	A
MV-CU120-106C	IMX226	1/1.7"	1.85 μm	Rolling	4024 × 3036	9.7 fps	NE: 34 μs-2 sec	Typ. 1.82 W@12 VDC	A

Notice: \* will be released soon, please consult details with sales representative  
 USE: Ultra-short exposure mode  
 NE: Normal exposure mode

## Dimension

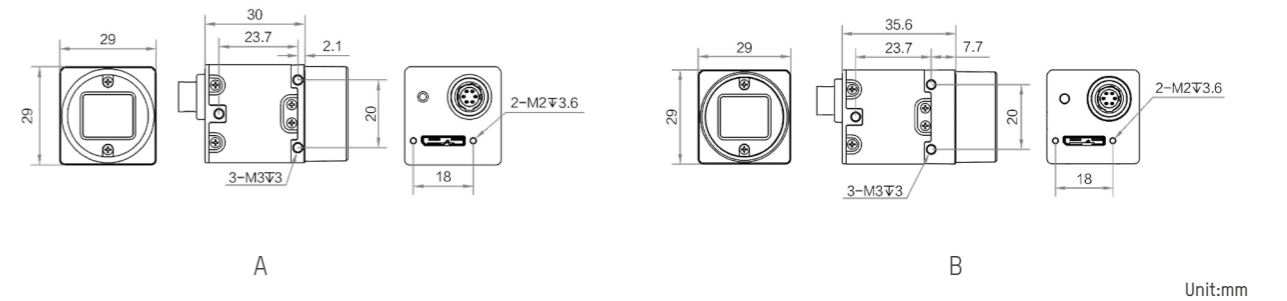


# CU Series USB3.0 Area Scan Camera

## Specifications

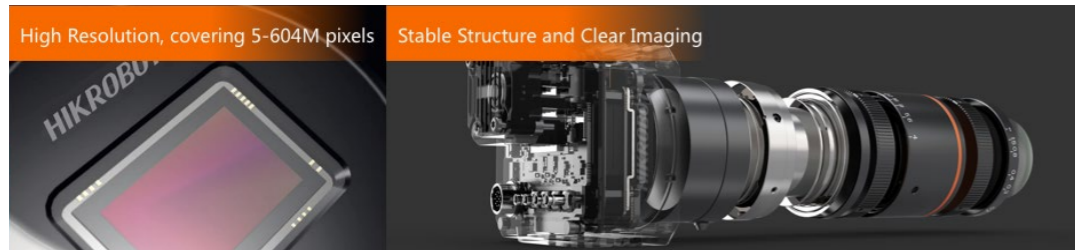
Model	Sensor model	Sensor size	Pixel size	Shutter mode	Resolution	Max. frame rate	Exposure time	Power consumption	Label
MV-CU013-80UM	SS	1/2.7"	4.0 μm	Global	1280 × 1024	240 fps	30 μs-1 sec	Typ. 1.7 W@5 VDC	A
MV-CU013-80UC	SS	1/2.7"	4.0 μm	Global	1280 × 1024	240 fps	30 μs-1 sec	Typ. 1.7 W@5 VDC	A
MV-CU013-A0UM	HK	1/2"	4.8 μm	Global	1280 × 1024	201.4 fps	5 μs-10 sec	Typ. 1.79 W@5 VDC	A
MV-CU013-A0UC	HK	1/2"	4.8 μm	Global	1280 × 1024	201.4 fps	5 μs-10 sec	Typ. 1.81 W@5 VDC	A
MV-CU050-60UM	HK	1/2.5"	2.2 μm	Rolling	2592 × 1944	48.2 fps	12 μs-1.25 sec	Typ. 2.7 W@5 VDC	A
MV-CU050-90UM	GMAX2505	1/2"	2.5 μm	Global	2600 × 2160	58.8 fps	3 μs-10 sec	Typ. 2.1 W@5 VDC	B
MV-CU050-90UC	GMAX2505	1/2"	2.5 μm	Global	2600 × 2160	58.8 fps	3 μs-10 sec	Typ. 2.2 W@5 VDC	B
MV-CU060-10UM	IMX178	1/1.8"	2.4 μm	Rolling	3072 × 2048	59.6 fps	8 μs-1 sec	Typ. 1.9 W@5 VDC,USB	A
MV-CU060-10UC	IMX178	1/1.8"	2.4 μm	Rolling	3072 × 2048	59.6 fps	8 μs-1 sec	Typ. 1.9 W@5 VDC,USB	A
MV-CU120-10UM	IMX226	1/1.7"	1.85 μm	Rolling	4024 × 3036	29.2fps	20 μs-0.5 sec	Typ. 1.9 W@5 VDC	A
MV-CU120-10UC	IMX226	1/1.7"	1.85 μm	Rolling	4024 × 3036	29.2fps	20 μs-0.5 sec	Typ. 2.0 W@5 VDC	A

## Dimension

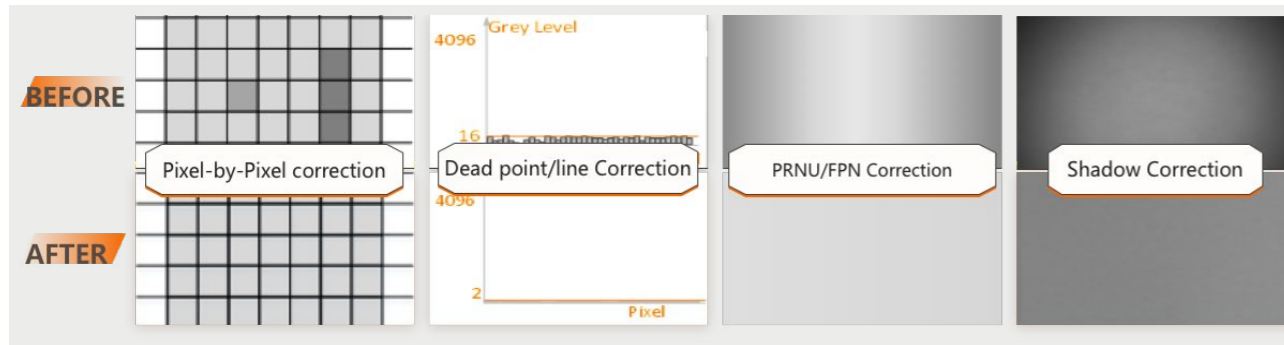


## CH Series Area Scan Camera

High-end product series designed for high-precision application and development in Panel, electronic semiconductor, new energy and other industries. which covers data interfaces of GigE, USB 3.0, 10 GigE, Camera Link, CoaXPress, XoFLink.



High-end area scan camera with high resolution coverage



Rich ISP algorithm

## CH Series GigE Area Scan Camera



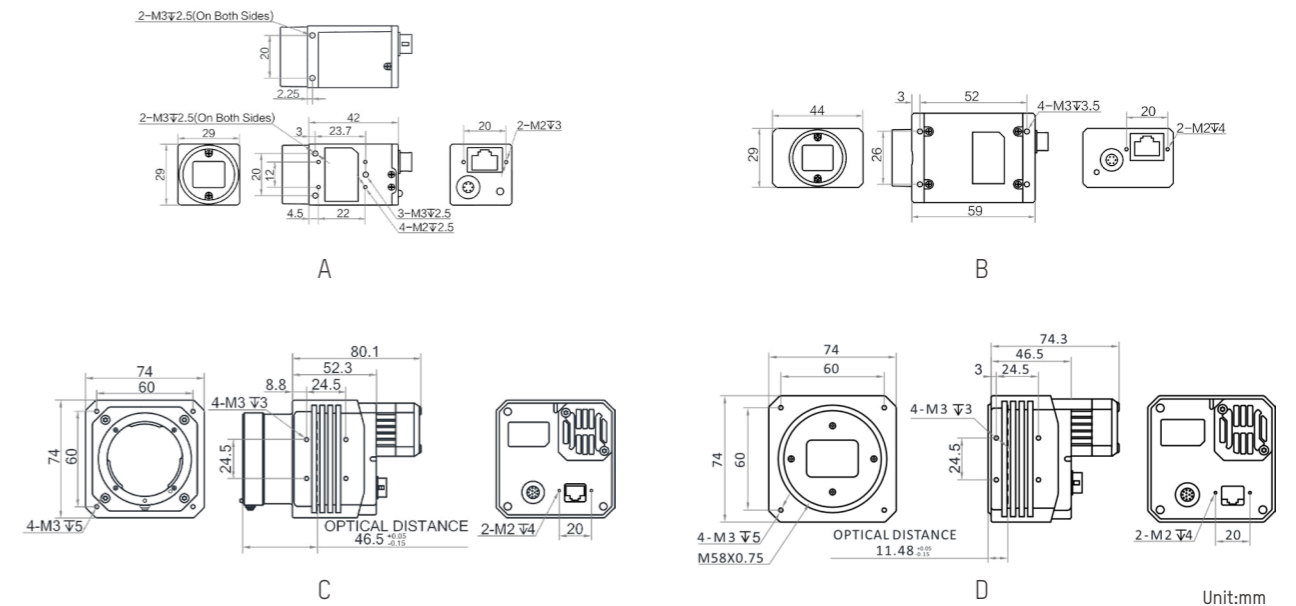
### Dimension

Model	Sensor model	Sensor size	Pixel size	Shutter mode	Resolution	Max. frame rate	Exposure time	Power consumption	Lens mount	Label
MV-CH089-106M	IMX267	1"	3.45 μm	Global	4096 × 2160	13.7 fps	USE: 1 μs-14 μs NE: 15 μs-10 sec	Typ. 2.3 W@12 VDC	C	A
MV-CH089-106C	IMX267	1"	3.45 μm	Global	4096 × 2160	13.7 fps	USE: 1 μs-14 μs NE: 15 μs-10 sec	Typ. 2.4 W@12 VDC	C	A
MV-CH100-606M	HK	1"	3.45 μm	Global	4096 × 2460	12 fps	NE: 80 μs-10 sec	Typ. 3.1 W@12 VDC	C	B
MV-CH100-606C	HK	1"	3.45 μm	Global	4096 × 2460	12 fps	NE: 80 μs-10 sec	Typ. 3.5 W@12 VDC	C	B
MV-CH120-106M	IMX304	1.1"	3.45 μm	Global	4096 × 3000	9.4 fps	USE: 1 μs-14 μs NE: 15 μs-10 sec	Typ. 2.9 W@12 VDC	C	A
MV-CH120-106C	IMX304	1.1"	3.45 μm	Global	4096 × 3000	9.4 fps	USE: 1 μs-14 μs NE: 15 μs-10 sec	Typ. 3.0 W@12 VDC	C	A
MV-CH120-206M	XGS12000	1"	3.2 μm	Global	4096 × 3072	9.6 fps	USE: 52 μs-161 μs NE: 162 μs-10 sec	Typ. 2.6 W@12 VDC	C	A
MV-CH120-206C	XGS12000	1"	3.2 μm	Global	4096 × 3072	9.6 fps	USE: 52 μs-161 μs NE: 162 μs-10 sec	Typ. 2.7 W@12 VDC	C	A

Model	Sensor model	Sensor size	Pixel size	Shutter mode	Resolution	Max. frame rate	Exposure time	Power consumption	Lens mount	Label
MV-CH123-106M *	IMX545	1/1.1"	2.74 μm	Global	4096 × 3000	9.5 fps	USE: 3 μs-33 μs NE: 36 μs-2 S	Typ. 2.9 W@12 VDC	C	A
MV-CH123-106C *	IMX545	1/1.1"	2.74 μm	Global	4096 × 3000	9.5 fps	USE: 3 μs-33 μs NE: 36 μs-2 S	Typ. 3.0 W@12 VDC	C	A
MV-CH140-606M	HK	1"	3 μm	Global	4708 × 2824	9 fps	NE: 80 μs-10 sec	Typ. 3.0 W@12 VDC	C	B
MV-CH140-606C	HK	1"	3 μm	Global	4708 × 2824	9 fps	NE: 80 μs-10 sec	Typ. 3.5 W@12 VDC	C	B
MV-CH160-606M	HK	1.1"	3.2 μm	Global	4000 × 4000	7.25 fps	NE: 12 μs-10 sec	Typ. 3.72 W@12 VDC	C	B
MV-CH250-906M	GMAX0505	1.1"	2.5 μm	Global	5120 × 5120	4.5 fps	NE: 12 μs-10 sec	Typ. 3.1 W@12 VDC	C	B
MV-CH250-906C	GMAX0505	1.1"	2.5 μm	Global	5120 × 5120	4.5 fps	NE: 12 μs-10 sec	Typ. 3.2 W@12 VDC	C	B
MV-CH250-906N	GMAX0505	1.1"	2.5 μm	Global	5120 × 5120	4.5 fps	NE: 12 μs-10 sec	Typ. 3.1 W@12 VDC	C	B
MV-CH310-106M	IMX342	22.3 mm × 16.7 mm	3.45 μm	Global	6464 × 4852	3.9 fps	USE: 3 μs-33 μs NE: 36 μs-2 Sec	Typ. 9 W@12 VDC	F M58	C D
MV-CH310-106C	IMX342	22.3 mm × 16.7 mm	3.45 μm	Global	6464 × 4852	3.9 fps	USE: 3 μs-33 μs NE: 36 μs-10 Sec	Typ. 9 W@12 VDC	F M58	C D

Notice: \* will be released soon, please consult details with sales representative  
 USE: Ultra-short exposure mode  
 NE: Normal exposure mode

### Dimension



Unit:mm

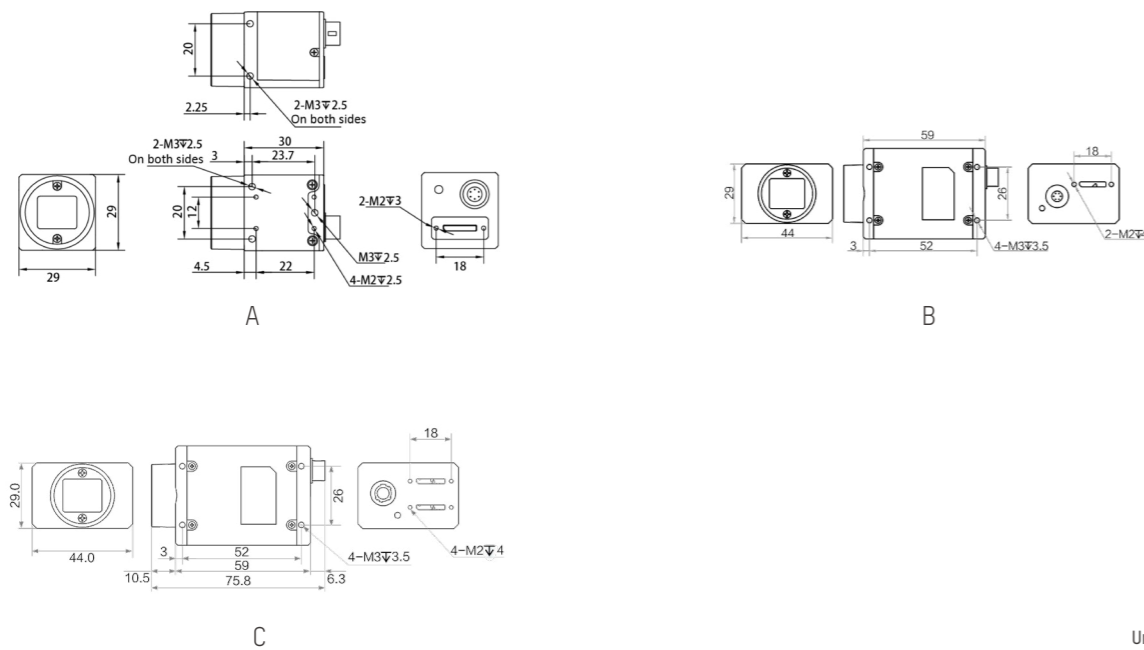
# CH Series USB3.0 Area Scan Camera

## Specifications

Model	Sensor model	Sensor size	Pixel size	Shutter mode	Resolution	Max. frame rate	Exposure time	Power consumption	Lens mount	Label
MV-CH050-10UM	IMX250	2/3"	3.45 μm	Global	2448 × 2048	74.1 fps	USE: 1 μs-14 μs NE: 15 μs-10 sec	Typ. 3.3 W@5 VDC	C	A
MV-CH050-10UC	IMX250	2/3"	3.45 μm	Global	2448 × 2048	74.1 fps	USE: 1 μs-14 μs NE: 15 μs-10 sec	Typ. 2.8 W@5 VDC	C	A
MV-CH050-10UP	IMX250	2/3"	3.45 μm	Global	2448 × 2048	74.1 fps	USE: 1 μs-14 μs NE: 15 μs-10 sec	Typ. 3.3 W@5 VDC	C	A
MV-CH089-10UM	IMX267	1"	3.45 μm	Global	4096 × 2160	32 fps	USE: 1 μs-14 μs NE: 15 μs-10 sec	Typ. 3.27 W@5 VDC	C	B
MV-CH089-10UC	IMX267	1"	3.45 μm	Global	4096 × 2160	32 fps	USE: 1 μs-14 μs NE: 15 μs-10 sec	Typ. 3.27 W@5 VDC	C	B
MV-CH120-10UM	IMX304	1.1"	3.45 μm	Global	4096 × 3000	30.5 fps	USE: 1 μs-14 μs NE: 15 μs-10 sec	Typ. 2.9 W@5 VDC	C	A
MV-CH120-10UC	IMX304	1.1"	3.45 μm	Global	4096 × 3000	30.5 fps	USE: 1 μs-14 μs NE: 15 μs-10 sec	Typ. 2.9 W@5 VDC	C	A
MV-CH120-20UM	XGS12000	1"	3.2 μm	Global	4096 × 3072	28 fps	USE: 52 μs-161 μs NE: 162 μs-10 sec	Typ. 2.9 W@5 VDC	C	A
MV-CH120-20UC	XGS12000	1"	3.2 μm	Global	4096 × 3072	28 fps	USE: 10 μs-56 μs NE: 57 μs-10 sec	Typ. 3.2 W@5 VDC	C	A
MV-CH123-10UM *	IMX545	1/1.1"	2.74 μm	Global	4096 × 3000	28 fps	USE: 3 μs-33 μs NE: 36 μs-2 sec	Typ. 3.5 W@5 VDC	C	A
MV-CH123-10UC *	IMX545	1/1.1"	2.74 μm	Global	4096 × 3000	28 fps	USE: 3 μs-33 μs NE: 36 μs-2 sec	Typ. 3.5 W@5 VDC	C	A
MV-CH250-90UM	GMAX0505	1.1"	2.5 μm	Global	5120 × 5120	14 fps	NE: 12 μs-10 sec	Typ. 3.6 W@5 VDC	C	B
MV-CH250-90UC	GMAX0505	1.1"	2.5 μm	Global	5120 × 5120	14 fps	NE: 12 μs-10 sec	Typ. 3.6 W@5 VDC	C	B
MV-CH250-90VM *	GMAX0505	1.1"	2.5 μm	Global	5120 × 5120	30 fps	NE: 12 μs-10 sec	Typ. 4.5 W@5 VDC	C	C

Notice: \* will be released soon, please consult details with sales representative  
P=Polarization  
USE: Ultra-short exposure mode  
NE: Normal exposure mode

## Dimension



Unit:mm

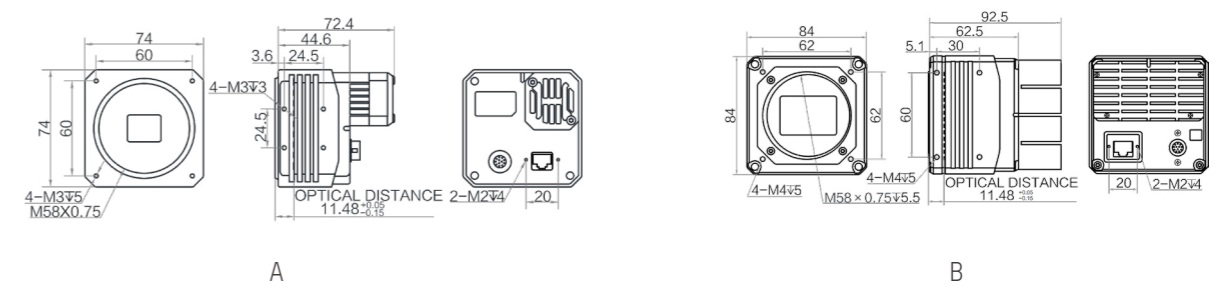
# CH Series 10GigE Area Scan Camera

## Specifications

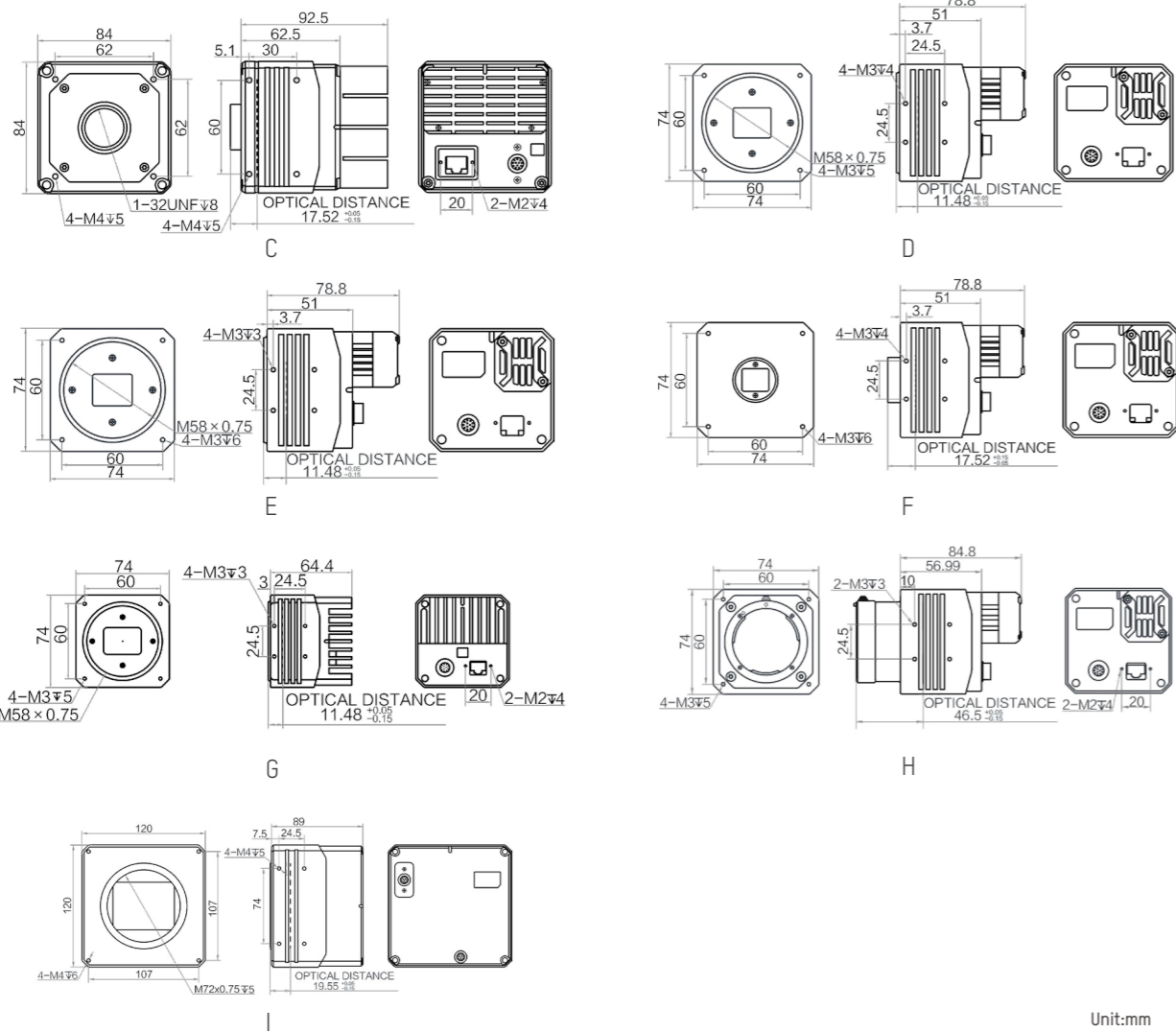
Model	Sensor model	Sensor size	Pixel size	Shutter mode	Resolution	Max. frame rate	Exposure time	Power consumption	Lens mount	Label
MV-CH120-15TM	IMX253	1.1"	3.45 μm	Global	4096 × 3000	68.3 fps	USE: 2 μs-14 μs NE: 15 μs-10 sec	Typ. 9.6 W@24 VDC	M58	A
MV-CH120-15TC	IMX253	1.1"	3.45 μm	Global	4096 × 3000	68.3 fps	USE: 2 μs-14 μs NE: 15 μs-10 sec	Typ. 10.1 W@24 VDC	M58	A
MV-CH240-10TM	IMX540	1.2"	2.74 μm	Global	5328 × 4600	35.1 fps	USE: 1 μs-7 μs NE: 8 μs-10 sec	Typ. 10 W@12 VDC	M58 C	B C
MV-CH250-60TM	HK	23 mm × 23 mm	4.5 μm	Global	5120 × 5120	31.7 fps	NE: 15 μs-10 sec	Typ. 15.1W@12 VDC	M58	D
MV-CH250-90TM	GMAX0505	1.1"	2.5 μm	Global	5120 × 5120	41.5 fps	NE:13 μs to 10 sec	Typ. 9.7 W@12 VDC	M58 C	E F
MV-CH250-90TC	GMAX0505	1.1"	2.5 μm	Global	5120 × 5120	41.5 fps	NE:13 μs to 10 sec	Typ. 9.7 W@12 VDC	M58 C	E F
MV-CH310-10TM	IMX342	22.3 mm × 16.7 mm	3.45 μm	Global	6464 × 4852	17.2 fps	NE: 4 μs-10 sec	Typ. 11.5 W@12 VDC	M58	G
MV-CH310-10TC	IMX342	22.3 mm × 16.7 mm	3.45 μm	Global	6464 × 4852	17.2 fps	NE: 4 μs-10 sec	Typ. 11.5 W@12 VDC	M58	G
MV-CH500-90TM	GMAX	22.4 mm × 22.4 mm	3.2 μm	Global	7008 × 7000	15.5 fps	NE: 15 μs-10 sec	Typ. 11 W@12 VDC	M58	D
MV-CH500-90TC	GMAX	22.4 mm × 22.4 mm	3.2 μm	Global	7008 × 7000	15.5 fps	NE: 15 μs-10 sec	Typ. 12 W@12 VDC	M58	D
MV-CH650-90TM	GMAX3265	29.9 mm × 22.4 mm	3.2 μm	Global	9344 × 7000	17.2 fps	NE: 18 μs-10 sec	Typ. 10.2 W@12 VDC	M58 F	D H
MV-CH650-90TC	GMAX3265	29.9 mm × 22.4 mm	3.2 μm	Global	9344 × 7000	17.2 fps	NE: 18 μs-10 sec	Typ. 11.6 W@12 VDC	M58 F	D H
MV-CH1030-90TM *	GMAX32103	36.1 mm × 29.4 mm	3.2 μm	Global	11276 × 9200	10fps	15 μs-10 sec	Typ. 15 W@12 VDC	M58	B
MV-CH1030-90TMC *	GMAX32103	36.1 mm × 29.4 mm	3.2 μm	Global	11276 × 9200	10fps	15 μs-10 sec	Typ. 15 W@12 VDC	M58	B
MV-CH1510-10FM	IMX411	66.7 mm	3.76 μm	Rolling	14208 × 10640	6.2 fps	NE: 30 μs-10 sec	TEC off: Typ. 11.3 W @24 VDC TEC on: Typ. 49 W @24 VDC	M72	I

Notice: \* will be released soon, please consult details with sales representative  
USE: Ultra-short exposure mode  
NE: Normal exposure mode

## Dimension







Unit:mm

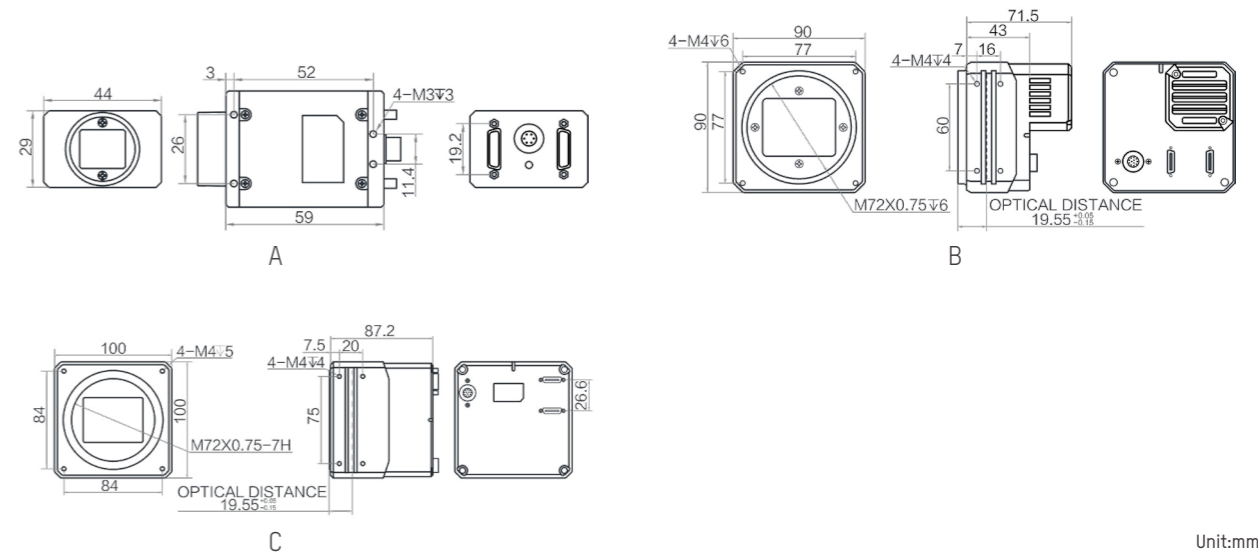
## ■ CH Series Camera Link Area Scan Camera

### Specifications

Model	Sensor model	Sensor size	Pixel size	Shutter mode	Resolution	Max. frame rate	Exposure time	Power consumption	Lens mount	Label
MV-CH040-A0CM	HK	1"	5.5µm	Global	2048 × 2048	180 fps	NE: 34 µs-10 sec	Typ. 3.5 W@12 VDC	C	A
MV-CH050-10CM	IMX250	2/3"	3.45 µm	Global	2432 × 2048	140 fps	NE: 15 µs-10 sec	Typ. 3.3 W@12 VDC	C	A
MV-CH050-10CC	IMX250	2/3"	3.45 µm	Global	2432 × 2048	140 fps	NE: 15 µs-10 sec	Typ. 3.41 W@12 VDC	C	A
MV-CH050-11CM	IMX264	2/3"	3.45 µm	Global	2448 × 2048	35 fps	NE: 15 µs-10 sec	Typ. 3.25 W@12 VDC	C	A
MV-CH120-10CM	IMX253	1.1"	3.45 µm	Global	3840 × 3000	69.8 fps	NE: 1 µs-10 sec	Typ. 4.51 W@12 VDC	C	A
MV-CH120-10CC	IMX253	1.1"	3.45 µm	Global	3840 × 3000	68.1 fps	NE: 1 µs-10 sec	Typ. 4.5 W@12 VDC	C	A
MV-CH120-11CM	IMX304	1.1"	3.45 µm	Global	4096 × 3000	23.4 fps	USE: 1 µs-14 sec NE: 15 µs-10 sec	Typ. 3.48 W@12 VDC	C	A
								Typ. 14 W@24 VDC		B
MV-CH1010-10CM	IMX461	55 mm	3.76 µm	Rolling	11648 × 8740	8.1 fps	NE: 14µs-10 sec	TEC off: Typ. 14 W@24 VDC TEC on: Typ. 48 W@24 VDC	M72	C
MV-CH1010-10CC	IMX461	55 mm	3.76 µm	Rolling	11648 × 8740	8.1 fps	NE: 14µs-10 sec	TEC off: Typ. 14 W@24 VDC TEC on: Typ. 48 W@24 VDC	M72	C

Notice: USE: Ultra-short exposure mode  
NE: Normal exposure mode

## Dimension



Unit:mm

## ■ CH Series CoaXPress Area Scan Camera

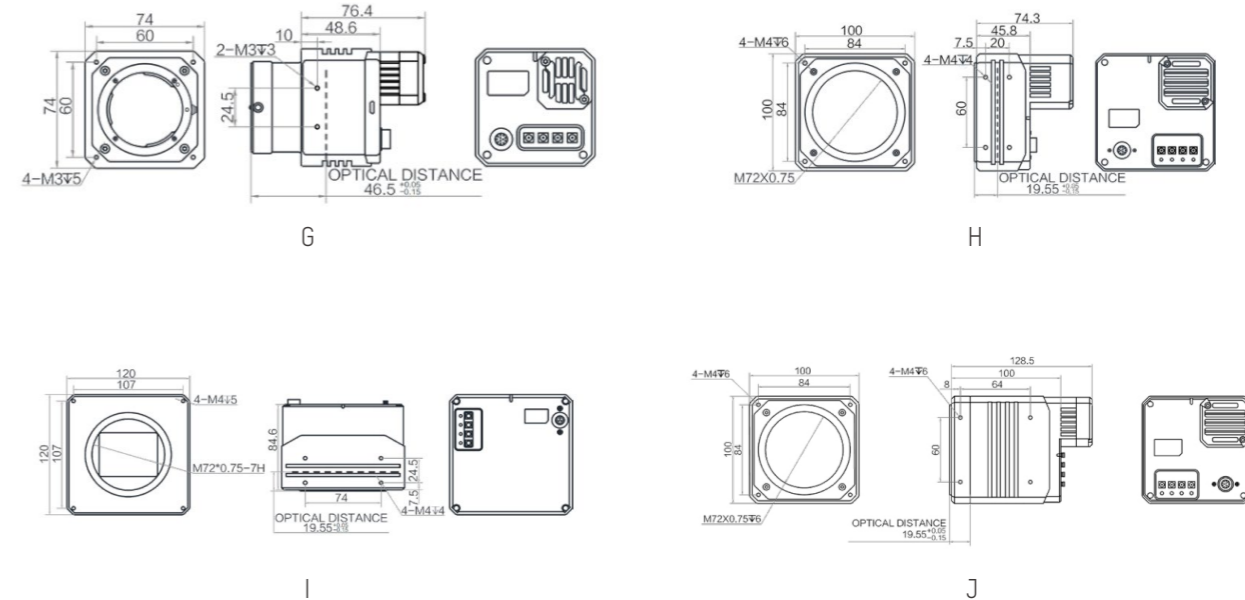


### Specifications

Model	Sensor model	Sensor size	Pixel size	Shutter mode	Resolution	Max. frame rate	Exposure time	Power consumption	Lens mount	Label
MV-CH050-90XM	GMAX2505	1/2"	2.5 µm	Global	2592 × 2160	213 fps	5 µs-10 sec	Typ. 5.3 W@12 VDC	C	A
MV-CH120-40XM	CMV12000	22.5 mm × 16.9 mm	5.5µm	Global	4096 × 3072	188 fps	34 µs-10 sec	Typ. 10 W@12 VDC	M58	B
MV-CH210-90YM	Gsprint 4521	23.04 mm × 18.43 mm	4.5 µm	Global	5120 × 4096	222 fps	4 µs-10 sec	Typ. 18 W@24 VDC	M58	C
MV-CH210-90YC	Gsprint 4521	23.04 mm × 18.43 mm	4.5 µm	Global	5120 × 4096	222 fps	4 µs-10 sec	Typ. 16.3 W@24 VDC	M58	C
MV-CH250-90XM	GMAX0505	1.1"	2.5 µm	Global	5120 × 5120	41.5 fps	13 µs-10 sec	Typ. 7.0 W@12 VDC	C	A
MV-CH250-90YM	GMAX0505	1.1"	2.5 µm	Global	5120 × 5120	150 fps	13 µs-10 sec	Typ. 13.7 W@12 VDC	M58 C	D E
MV-CH250-90YM V2.0	GMAX0505	1.1"	2.5 µm	Global	5120 × 5120	150 fps	USE: 3 µs-8 sec NE: 10 µs-10 sec	Typ. 9.9 W@12 VDC	M58	B
MV-CH250-90YC	GMAX0505	1.1"	2.5 µm	Global	5120 × 5120	150 fps	13 µs-10 sec	Typ. 13.7 W@12 VDC	M58 C	D E
MV-CH500-90XM	GMAX	22.4 mm × 22.4 mm	3.2 µm	Global	7008 × 7000	31.5 fps	14 µs-10 sec	Typ. 10.5 W@12 VDC	M58	F
MV-CH500-90YM	GMAX	22.4 mm × 22.4 mm	3.2 µm	Global	7008 × 7000	71 fps	14 µs-10 sec	Typ. 13 W@12 VDC	M58	B
MV-CH650-90XM	GMAX3265	29.9 mm × 22.4 mm	3.2 µm	Global	9344 × 7000	31.5 fps	14 µs-10 sec	Typ. 10.5 W@12 VDC	M58 F	F G
MV-CH650-90XC	GMAX3265	29.9 mm × 22.4 mm	3.2 µm	Global	9344 × 7000	31.5 fps	14 µs-10 sec	Typ. 10.5 W@12 VDC	M58 F	F G
MV-CH650-90YM	GMAX3265	29.9 mm × 22.4 mm	3.2 µm	Global	9344 × 7000	71 fps	15 µs-10 sec	Typ. 13.0 W@12 VDC	M58	C

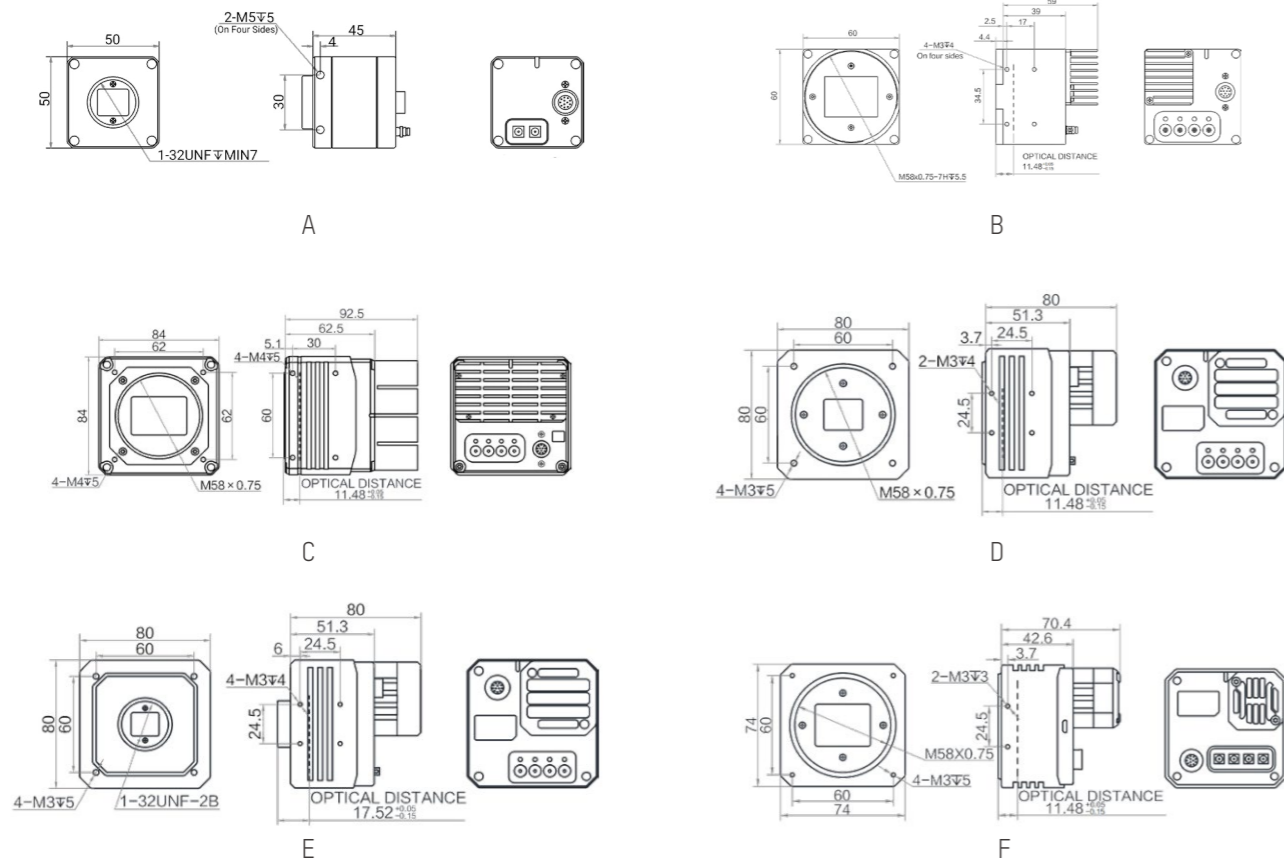
Model	Sensor model	Sensor size	Pixel size	Shutter mode	Resolution	Max. frame rate	Exposure time	Power consumption	Lens mount	Label
MV-CH650-90YMV2.0	GMAX3265	29.9 mm × 22.4 mm	3.2 μm	Global	9344 × 7000	71 fps	12 μs-10 sec	Typ. 14.4W@12 VDC	M58	B
MV-CH650-90YC	GMAX3265	29.9 mm × 22.4 mm	3.2 μm	Global	9344 × 7000	71 fps	15 μs-10 sec	Typ. 13.2W@12 VDC	M58	C
MV-CH1510-10XM	IMX411	66.7 mm	3.76 μm	Rolling	14208 × 10640	6.2 fps	15 μs-10 sec	Typ. 18 W@24 VDC	M72	H
MV-CH1510-10XC	IMX411	66.7mm	3.76 μm	Rolling	14208 × 10640	6.2 fps	15 μs-10 sec	Typ. 21 W@24 VDC	M72	H
MV-CH1510-11XM	IMX411	66.7mm	3.76 μm	Rolling	14208 × 10640	6.2 fps	15 μs-10 sec	TEC off: Typ. 21 W@24 VDC TEC on: Typ. 55 W@24 VDC	M72	I
MV-CH1510-11XC	IMX411	66.7mm	3.76 μm	Rolling	14208 × 10640	6.2 fps	15 μs-10 sec	TEC off: Typ. 22 W@24 VDC TEC on: Typ. 60 W@24 VDC	M72	I
MV-CH6040-10XM	IMX411	66.7mm	3.76 μm	Rolling	28416 × 21280	6.2 fps	15 μs-1 sec	Typ. 15 W@24 VDC	M72	J
MV-CH6040-10XC *	IMX411	66.7mm	3.76 μm	Rolling	28416 × 21280	6.2 fps	15 μs-1 sec	Typ. 15 W@24 VDC	M72	J

Notice: \* will be released soon, please consult details with sales representative  
 USE: Ultra-short exposure mode  
 NE: Normal exposure mode



Unit:mm

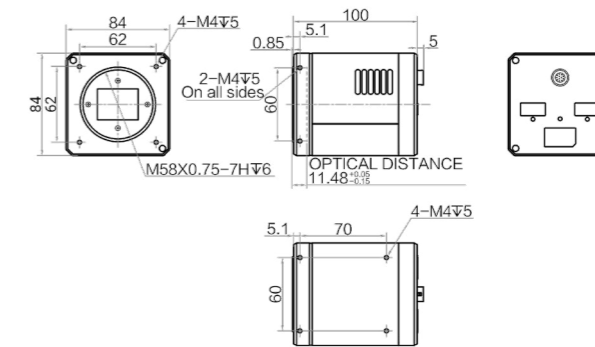
## Dimension



## CH Series XoFLink Area Scan Camera Specifications

Model	Sensor model	Sensor size	Pixel size	Shutter mode	Resolution	Max. frame rate	Exposure time	Power consumption	Lens mount
MV-CH210-90QM *	Gsprint 4521	23.04 mm × 18.43 mm	4.5 μm	Global	5120 × 4096	540 fps	4 μs-10 sec	Typ. 25 W@24 VDC	M58

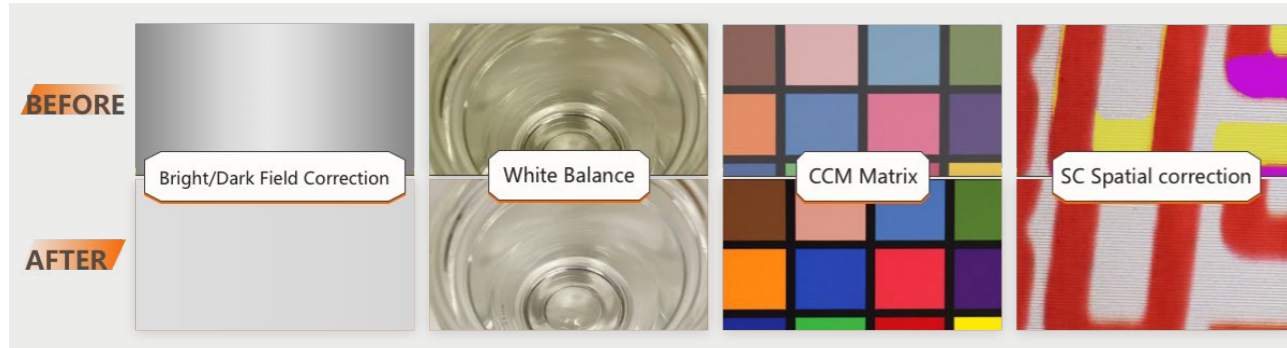
Notice: \* will be released soon, please consult details with sales representative



Unit:mm

# Line Scan Camera

The CL series covers 2K-16K pixels and equipped with GigE/ Camera Link/XoF interfaces, support a variety of ISP and algorithms that can fulfill various application needs of line scan cameras.



## Diversified processing, flexible Acquisition

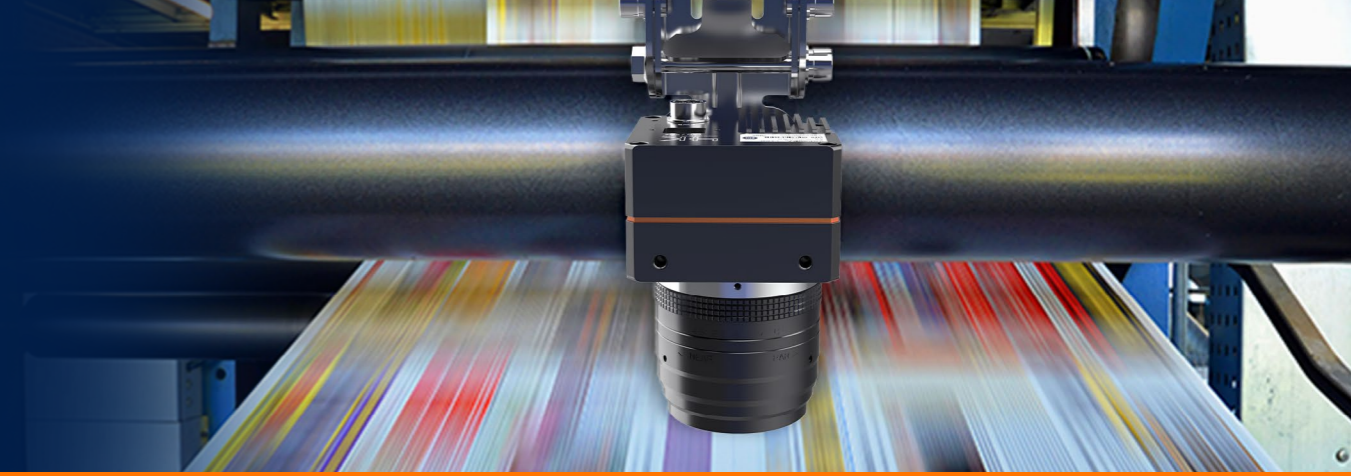


## High-Bandwidth Mode, high line frequency transmission

# CL Series GigE Line Scan Camera

## Specifications

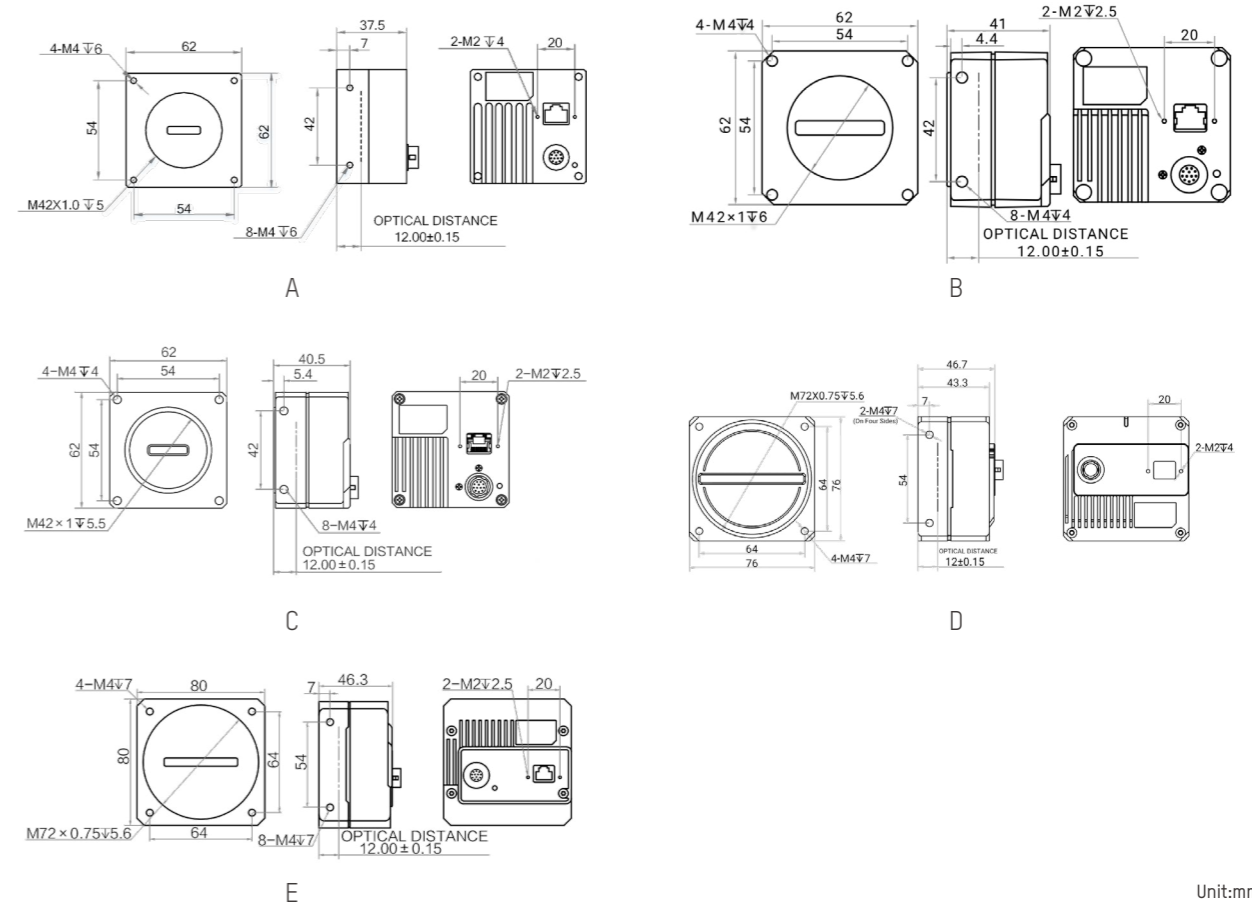
Model	Pixel size	Resolution	Max. line rate	Mono/color	Power supply	Power consumption	Work temperature	Label
MV-CL021-406M	7 μm × 7 μm	2048 × 1	56 kHz	Mono	12 VDC,PoE	4.0 W@12 VDC	0-50°C	A
MV-CL022-406C	7 μm × 7 μm	2048 × 2	32 kHz	Color	12 VDC,PoE	4.0 W@12 VDC	0-50°C	A
MV-CL022-916M	14 μm × 14 μm	2048 × 1	100 kHz@HB peak	Mono	12-24 VDC,PoE	Typ. 5 W@12 VDC	-20-50°C	B
MV-CL022-916C	14 μm × 14 μm	2048 × 2	40 kHz@HB peak	Color	12-24 VDC,PoE	Typ. 7.4 W@12 VDC	-20-50°C	B



Model	Pixel size	Resolution	Max. line rate	Mono/color	Power supply	Power consumption	Work temperature	Label
MV-CL024-916M	7 μm × 7 μm	2048 × 2	86 kHz@HB peak	Mono	12-24 VDC,PoE	Typ. 5.2 W@12 VDC	-20-55°C	C
MV-CL024-916C	7 μm × 7 μm	2048 × 3	70 kHz@HB peak	Color	12-24 VDC,PoE	Typ. 5.7 W@12 VDC	-20-55°C	C
MV-CL042-916M	7 μm × 7 μm	4096 × 2	80 kHz@HB peak	Mono	12-24 VDC,PoE	Typ. 5.8 W@12 VDC	-20-55°C	B
MV-CL042-916C	7 μm × 7 μm	4096 × 2	80 kHz@HB peak	Color	12-24 VDC,PoE	Typ. 6.6 W@12 VDC	-20-55°C	B
MV-CL082-926M *	7 μm × 7 μm	8192 × 2	33.3 kHz@HB peak	Mono	12-24 VDC	Typ. 6.8 W@12 VDC	-20-55°C	D
MV-CL083-926C *	7 μm × 7 μm	8192 × 3	33 kHz@HB peak	Color	12-24 VDC	Typ. 7.7 W@12 VDC	-20-50°C	D
MV-CL084-916M	5 μm × 5 μm	8192 × 4	40 kHz@HB peak	Mono	12-24 VDC	Typ. 12.4 W@12 VDC	-20-50°C	E
MV-CL086-916C	5 μm × 5 μm	8192 × 6	40 kHz@HB peak	Color	12-24 VDC	Typ. 13 W@12 VDC	-20-50°C	E

Notice: \* will be released soon, please consult details with sales representative

## Dimension



Unit:mm



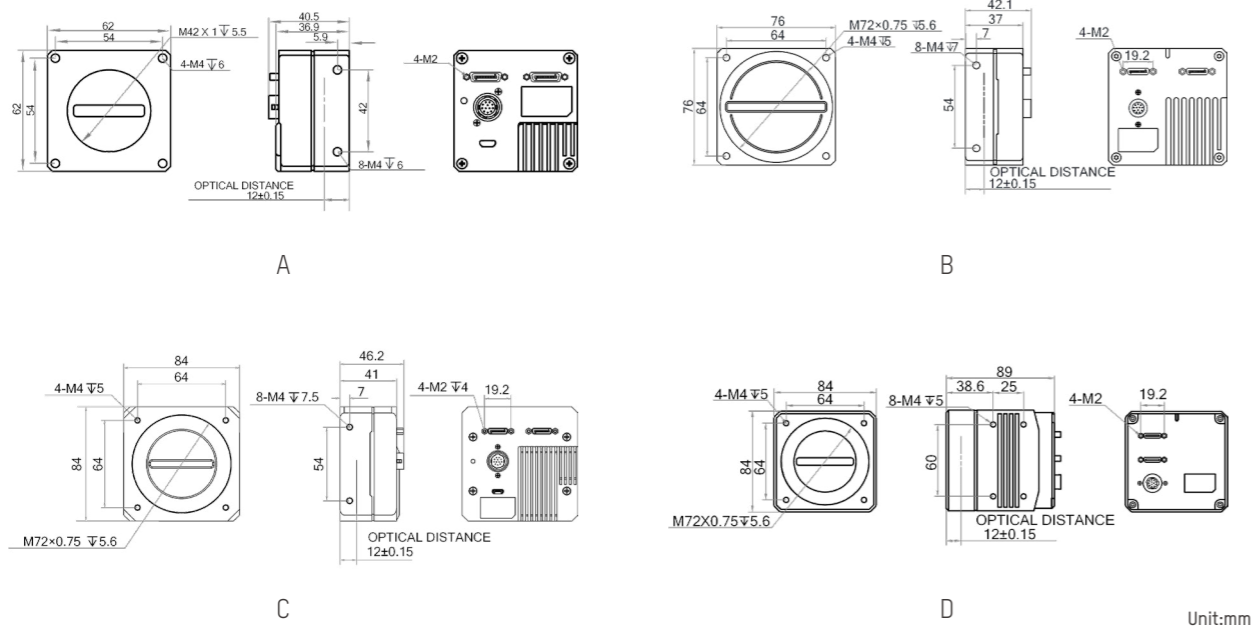
# CL Series Camera Link Line Scan Camera



## Specifications

Model	Pixel size	Resolution	Max. line rate	Mono/color	Power supply	Power consumption	Work temperature	Label
MV-CL042-91CM	7 μm × 7 μm	4096 × 2	100 kHz	Mono	12-24 VDC	Typ. 5.5 W@12 VDC	-20-55°C	A
MV-CL042-91CM-V2	7 μm × 7 μm	4096 × 2	195 kHz	Mono	12-24 VDC	Typ. 8 W@12 VDC	-20-45°C	A
MV-CL042-91CC	7 μm × 7 μm	4096 × 2	100 kHz	Color	12-24 VDC	Typ. 6.1 W@12 VDC	-20-55°C	A
MV-CL081-41CM	7 μm × 7 μm	8192 × 1	80 kHz	Mono	12-24 VDC	Typ. 5.8 W@12 VDC	0-55°C	B
MV-CL082-92CM	7 μm × 7 μm	8192 × 2	100 kHz	Mono	12-24 VDC	Typ. 9.8 W@12 VDC	-20-55°C	B
MV-CL083-92CC	7 μm × 7 μm	8192 × 3	66.6 kHz	Color	12-24 VDC	Typ. 9.9 W@12 VDC	-20-55°C	B
MV-CL084-91CM	5 μm × 5 μm	8192 × 4	100 kHz	Mono	12-24 VDC	Typ. 9.7 W@12 VDC	-20-55°C	C
MV-CL084-91CM-PRO	5 μm × 5 μm	8192 × 16	100 kHz	Mono	24 VDC	Typ. 22.9 W@24 VDC	-20-60°C	D
MV-CL086-91CC	5 μm × 5 μm	8192 × 6	33.7 kHz	Color	12-24 VDC	Typ. 9.6 W@12 VDC	-20-50°C	C
MV-CL086-91CC-PRO	5 μm × 5 μm	8192 × 12	34 kHz	Color	24 VDC	Typ. 20.5 W@24 VDC	-20-60°C	D
MV-CL161-41CM	3.5 μm × 3.5 μm	16384 × 1	50 kHz	Mono	12-24 VDC	Typ. 7.2 W@12 VDC	0-55°C	B
MV-CL162-91CM	3.5 μm × 3.5 μm	16384 × 2	50 kHz	Mono	12-24 VDC	Typ. 10 W@12 VDC	-20-55°C	B

## Dimension



Unit:mm

# CL Series XoFLink Line Scan Camera

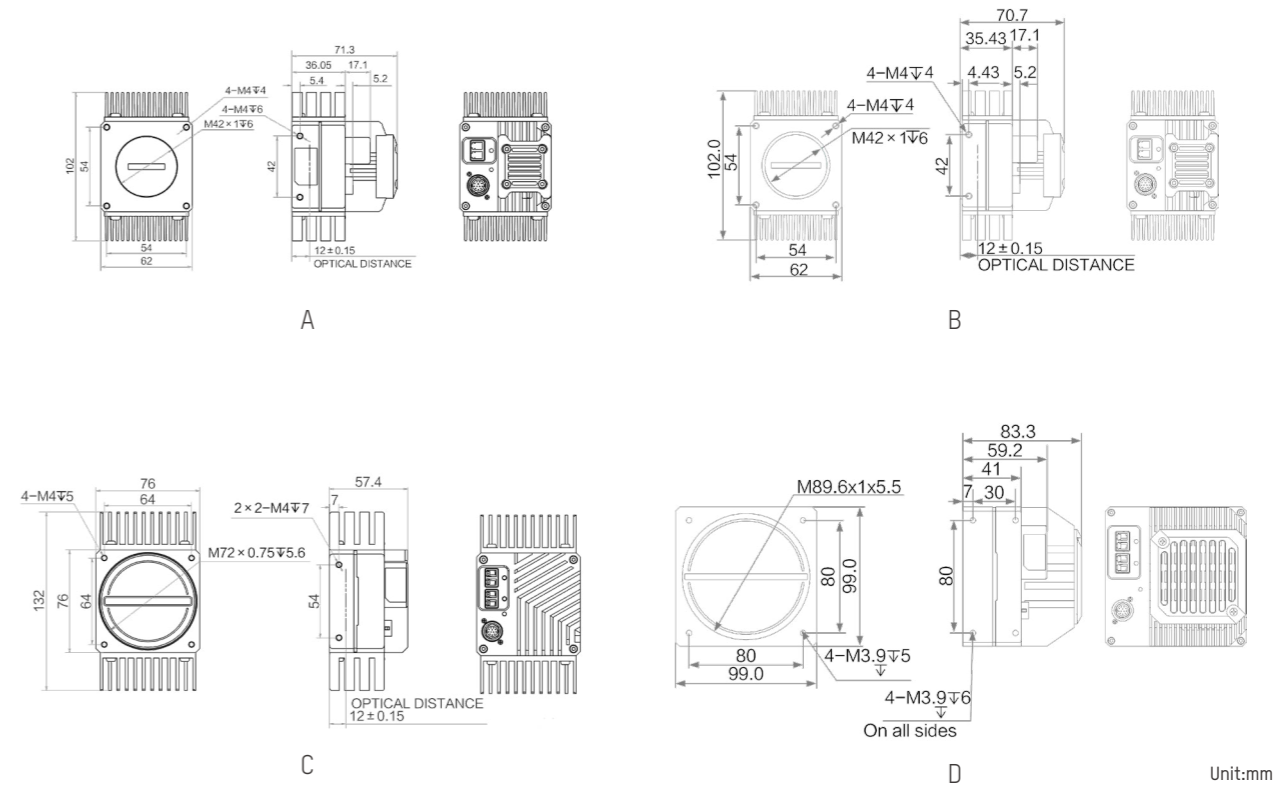


## Specifications

Model	Pixel size	Resolution	Max. line rate	Mono/color	Power supply	Power consumption	Work temperature	Label
MV-CL04T-B1FM *	5 × 5 μm	4096 × 256	200 kHz	Mono	12-24 VDC	Typ. 8.4 W@24 VDC	-20-55°C	A
MV-CL042-91FC *	7 × 7 μm	4096 × 2	100 kHz	Color	12-24 VDC	Typ. 14 W@24 VDC	-20-55°C	B
MV-CL082-91FM	7 × 7 μm	8192 × 2	200 kHz	Mono	12-24 VDC	Typ. 14 W@24 VDC	-20-55°C	C
MV-CL083-91FC	7 × 7 μm	8192 × 3	66.6kHz	Color	12-24 VDC	Typ. 14 W@24 VDC	-20-55°C	C
MV-CL162-91FM *	3.5 × 3.5 μm	16384 × 2	120 kHz	Mono	12-24 VDC	Typ. 14 W@24 VDC	-20-55°C	C
MV-CL166-91FC *	5 × 5 μm	16384 × 6	142 kHz	Color	12-24 VDC	Typ. 14 W@24 VDC	-20-55°C	D

Notice: \* will be released soon  
Paired with MV-GS1002F frame grabber

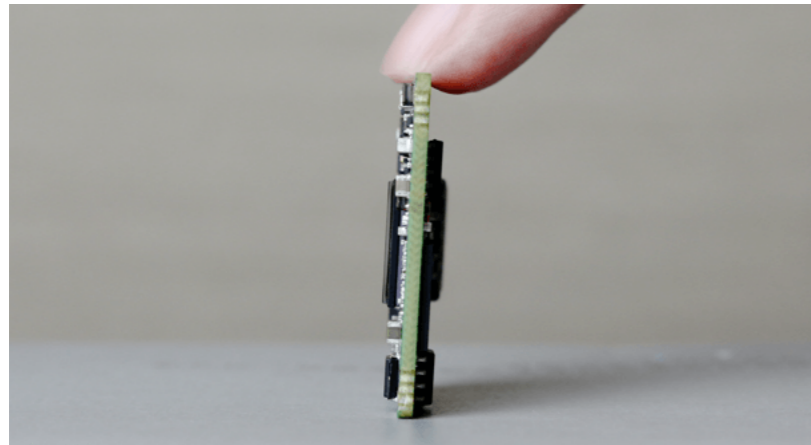
## Dimension



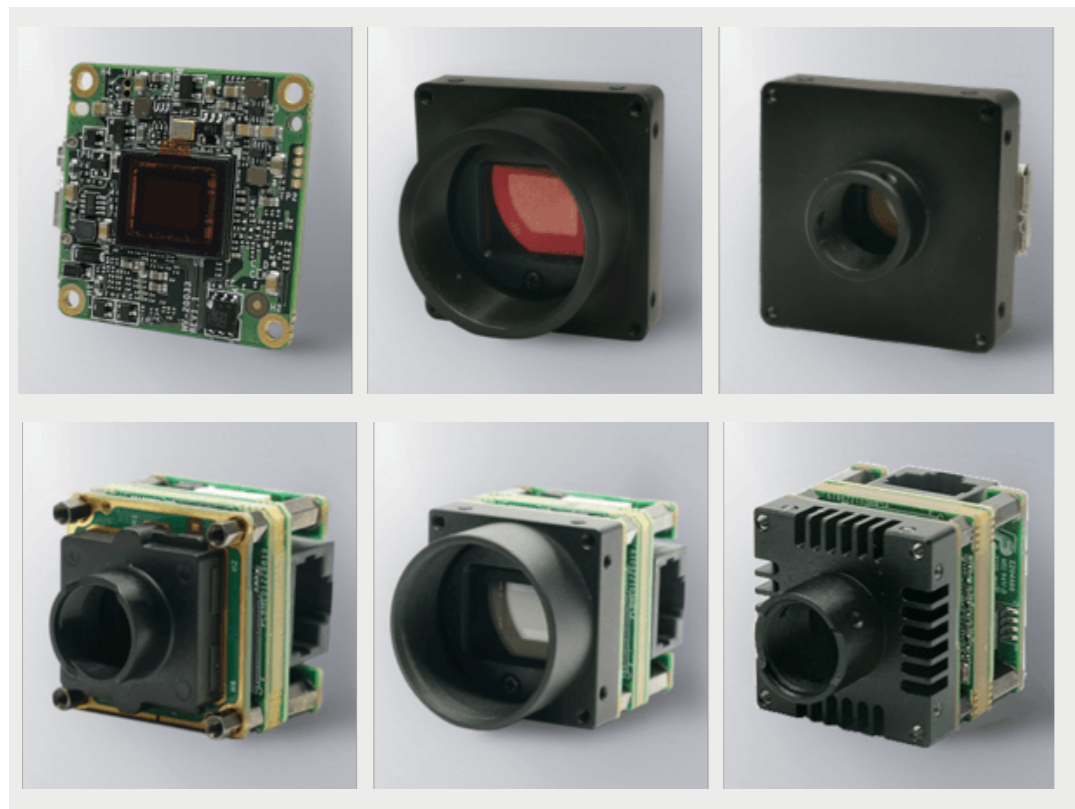
Unit:mm

## Board Level Camera

The CB series board-level products is designed with a single board or multi-board stacked, which supports GigE or U3V protocol. It is applicable to the industrial, embedded, 3D, medical and other scenarios with more stringent space requirements.



Ultra-small size, flexible for application



High-Bandwidth Mode, high line frequency transmission



## CB Series GigE Board Level Camera

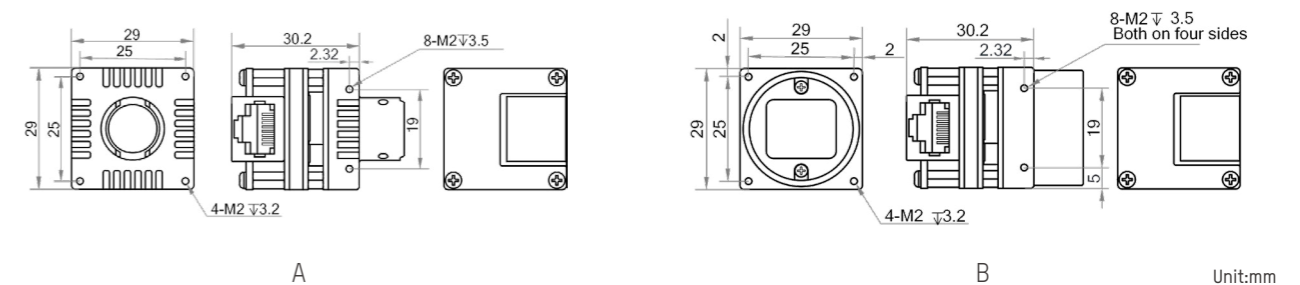


### Specifications

Model	Sensor model	Sensor size	Pixel size	Shutter mode	Resolution	Max. frame rate	Exposure time	Power consumption	Label
MV-CB004-106M-S	IMX297	1/2.9"	6.9 $\mu\text{m}$	Global	720 × 540	125.2 fps	USE: 1 $\mu\text{s}$ -14 $\mu\text{s}$ NE: 15 $\mu\text{s}$ -10 sec	Typ. 2.5 W@12 VDC	A
MV-CB016-106M-S	IMX296	1/2.9"	3.45 $\mu\text{m}$	Global	1440 × 1080	65.2 fps	USE: 1 $\mu\text{s}$ -14 $\mu\text{s}$ NE: 15 $\mu\text{s}$ -10 sec	Typ. 2.6 W@12 VDC	A
MV-CB016-106C-C	IMX296	1/2.9"	3.45 $\mu\text{m}$	Global	1440 × 1080	65.2 fps	USE: 1 $\mu\text{s}$ -14 $\mu\text{s}$ NE: 15 $\mu\text{s}$ -10 sec	Typ. 2.7 W@12 VDC	B
MV-CB060-106M-S	IMX178	1/1.8"	2.4 $\mu\text{m}$	Rolling	3072 × 2048	30.7 fps	NE: 25 $\mu\text{s}$ -2.5 sec	Typ. 2.3 W@12 VDC	A
MV-CB060-106C-S	IMX178	1/1.8"	2.4 $\mu\text{m}$	Rolling	3072 × 2048	30.7 fps	NE: 25 $\mu\text{s}$ -2.5 sec	Typ. 2.6 W@12 VDC	A

Notice: USE: Ultra-short exposure mode  
NE: Normal exposure mode

### Dimension



Unit:mm

# CB Series USB3.0 Board Level Camera



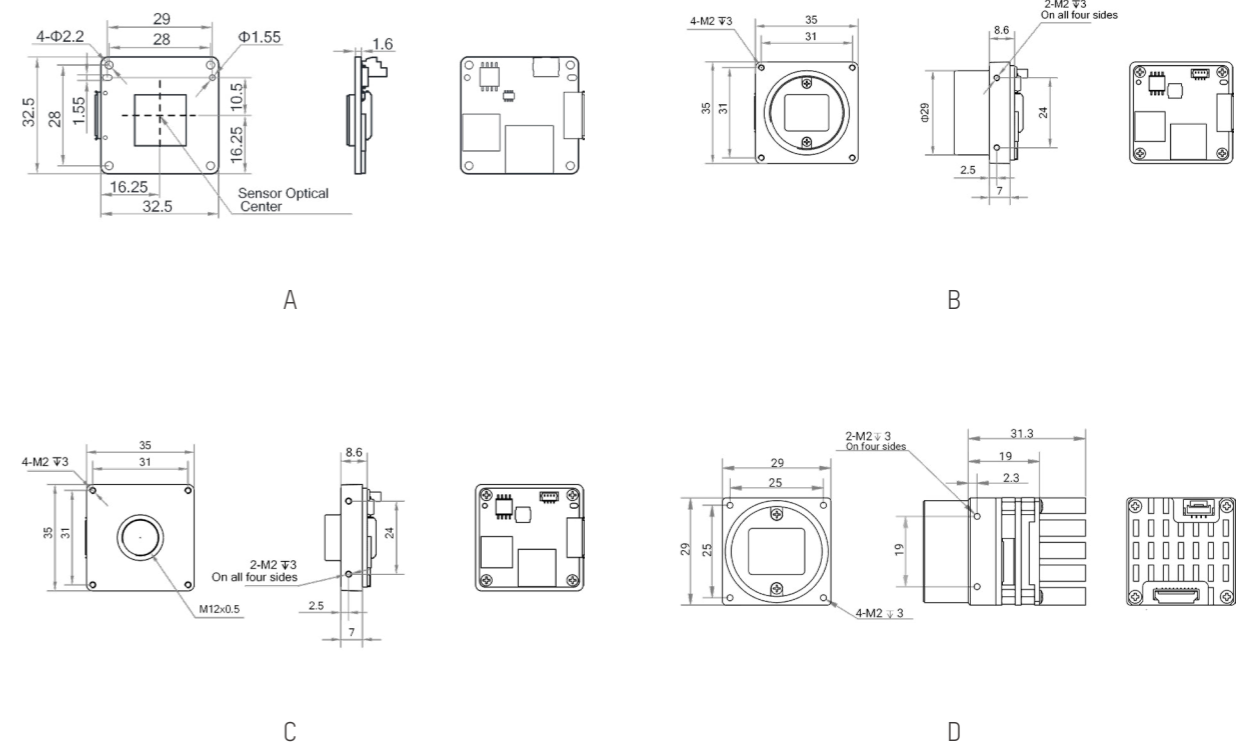
## Specifications

Model	Sensor model	Sensor size	Pixel size	Shutter mode	Resolution	Max. frame rate	Exposure time	Power supply	Label
MV-CB013-A0UM-B	HK	1/2"	4.8 μm	Global	1280 × 1024	201 fps	NE: 9 μs-10 sec	Typ. 1.6 W@5 VDC	A
MV-CB013-A0UM-C	HK	1/2"	4.8 μm	Global	1280 × 1024	201 fps	NE: 9 μs-10 sec	Typ. 1.6 W@5 VDC	B
MV-CB013-A0UM-S	HK	1/2"	4.8 μm	Global	1280 × 1024	201 fps	NE: 9 μs-10 sec	Typ. 1.6 W@5 VDC	C
MV-CB013-A0UC-C	HK	1/2"	4.8 μm	Global	1280 × 1024	201 fps	NE: 9 μs-10 sec	Typ. 2.8 W@5 VDC	B
MV-CB013-A0UC-S	HK	1/2"	4.8 μm	Global	1280 × 1024	201 fps	NE: 9 μs-10 sec	Typ. 2.8 W@5 VDC	C
MV-CB016-10UM-B *	IMX273	1/2.9"	3.45 μm	Global	1440 × 1080	249 fps	NE: 1 μs-10 sec	Typ. 2.5 W@5 VDC	A
MV-CB016-10UM-C *	IMX273	1/2.9"	3.45 μm	Global	1440 × 1080	249 fps	NE: 1 μs-10 sec	Typ. 2.5 W@5 VDC	B
MV-CB016-10UM-S *	IMX273	1/2.9"	3.45 μm	Global	1440 × 1080	249 fps	NE: 1 μs-10 sec	Typ. 2.5 W@5 VDC	C
MV-CB016-10UC-B *	IMX273	1/2.9"	3.45 μm	Global	1440 × 1080	249 fps	NE: 1 μs-10 sec	Typ. 2.5 W@5 VDC	A
MV-CB016-10UC-C *	IMX273	1/2.9"	3.45 μm	Global	1440 × 1080	249 fps	NE: 1 μs-10 sec	Typ. 2.5 W@5 VDC	B
MV-CB016-10UC-S *	IMX273	1/2.9"	3.45 μm	Global	1440 × 1080	249 fps	NE: 1 μs-10 sec	Typ. 2.5 W@5 VDC	C
MV-CB050-11UC-C	IMX264	2/3"	3.45 μm	Rolling	2448 × 2048	60 fps	USE: 1 μs-14 μs NE: 15 μs-10 sec	Typ. 2.8 W@5 VDC	D
MV-CB060-10UM-B	IMX178	1/1.8"	2.4 μm	Rolling	3072 × 2048	60.9 fps	NE: 8 us-1 sec	Typ. 1.5 W@5 VDC	A
MV-CB060-10UM-C	IMX178	1/1.8"	2.4 μm	Rolling	3072 × 2048	60.9 fps	NE: 8 us-1 sec	Typ. 1.5 W@5 VDC	B
MV-CB060-10UM-S	IMX178	1/1.8"	2.4 μm	Rolling	3072 × 2048	60.9 fps	NE: 8 us-1 sec	Typ. 1.5 W@5 VDC	C
MV-CB060-10UC-B	IMX178	1/1.8"	2.4 μm	Rolling	3072 × 2048	60.9 fps	NE: 8 us-1 sec	Typ. 1.8 W@5 VDC	A
MV-CB060-10UC-C	IMX178	1/1.8"	2.4 μm	Rolling	3072 × 2048	60.9 fps	NE: 8 us-1 sec	Typ. 1.8 W@5 VDC	B
MV-CB060-10UC-S	IMX178	1/1.8"	2.4 μm	Rolling	3072 × 2048	60.9 fps	NE: 8 us-1 sec	Typ. 1.8 W@5 VDC	C
MV-CB120-10UM-B	IMX226	1/1.7"	1.85 μm	Rolling	4032 × 3036	28 fps	NE: 11 μs-2 sec	Typ. 2.45 W@5 VDC	A

Model	Sensor model	Sensor size	Pixel size	Shutter mode	Resolution	Max. frame rate	Exposure time	Power supply	Label
MV-CB120-10UM-C	IMX226	1/1.7"	1.85 μm	Rolling	4032 × 3036	28 fps	NE: 11 μs-2 sec	Typ. 2.45 W@5 VDC	B
MV-CB120-10UM-S	IMX226	1/1.7"	1.85 μm	Rolling	4032 × 3036	28 fps	NE: 11 μs-2 sec	Typ. 2.45 W@5 VDC	C
MV-CB120-10UC-B	IMX226	1/1.7"	1.85 μm	Rolling	4032 × 3036	21 fps	NE: 23 μs-2 sec	Typ. 2.45 W@5 VDC	A
MV-CB120-10UC-C	IMX226	1/1.7"	1.85 μm	Rolling	4032 × 3036	21 fps	NE: 23 μs-2 sec	Typ. 2.45 W@5 VDC	B
MV-CB120-10UC-S	IMX226	1/1.7"	1.85 μm	Rolling	4032 × 3036	21 fps	NE: 23 μs-2 sec	Typ. 2.45 W@5 VDC	C

Notice: \* will be released soon  
 USE: Ultra-short exposure mode  
 NE: Normal exposure mode

## Dimension

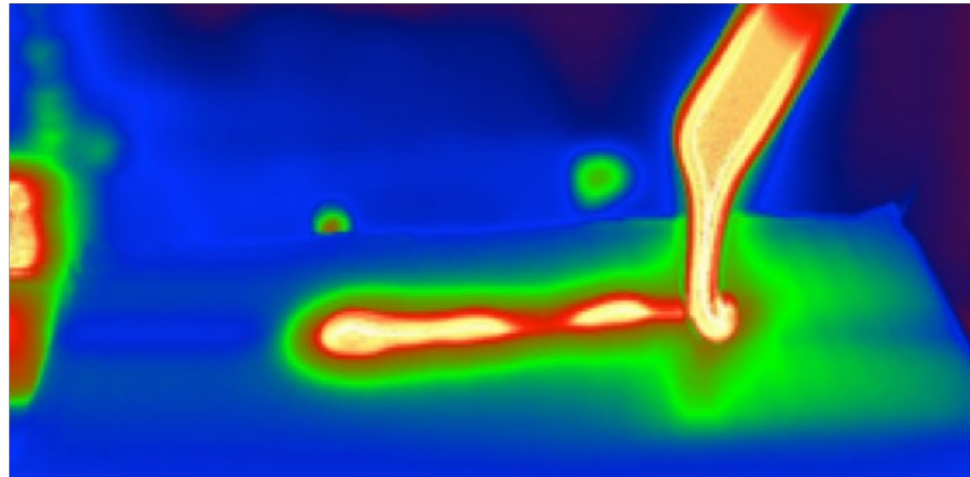


Unit:mm



## Industrial Infrared Camera

The CI series is a high-performance infrared camera for industrial applications. Long wave products use high-sensitivity Vanadium Oxide uncooled detector, which can present temperature information and measure the temperature characteristics of objects. Short wave product is equipped with InGaAs sensors, covering visible light to shortwave bands, and has built-in image preprocessing. Suitable for applications in industries such as new energy, semiconductors, and agriculture.



Rich functions, suitable for industrial scenarios



Compatible with GigE Vision standard, support GenCam protocol

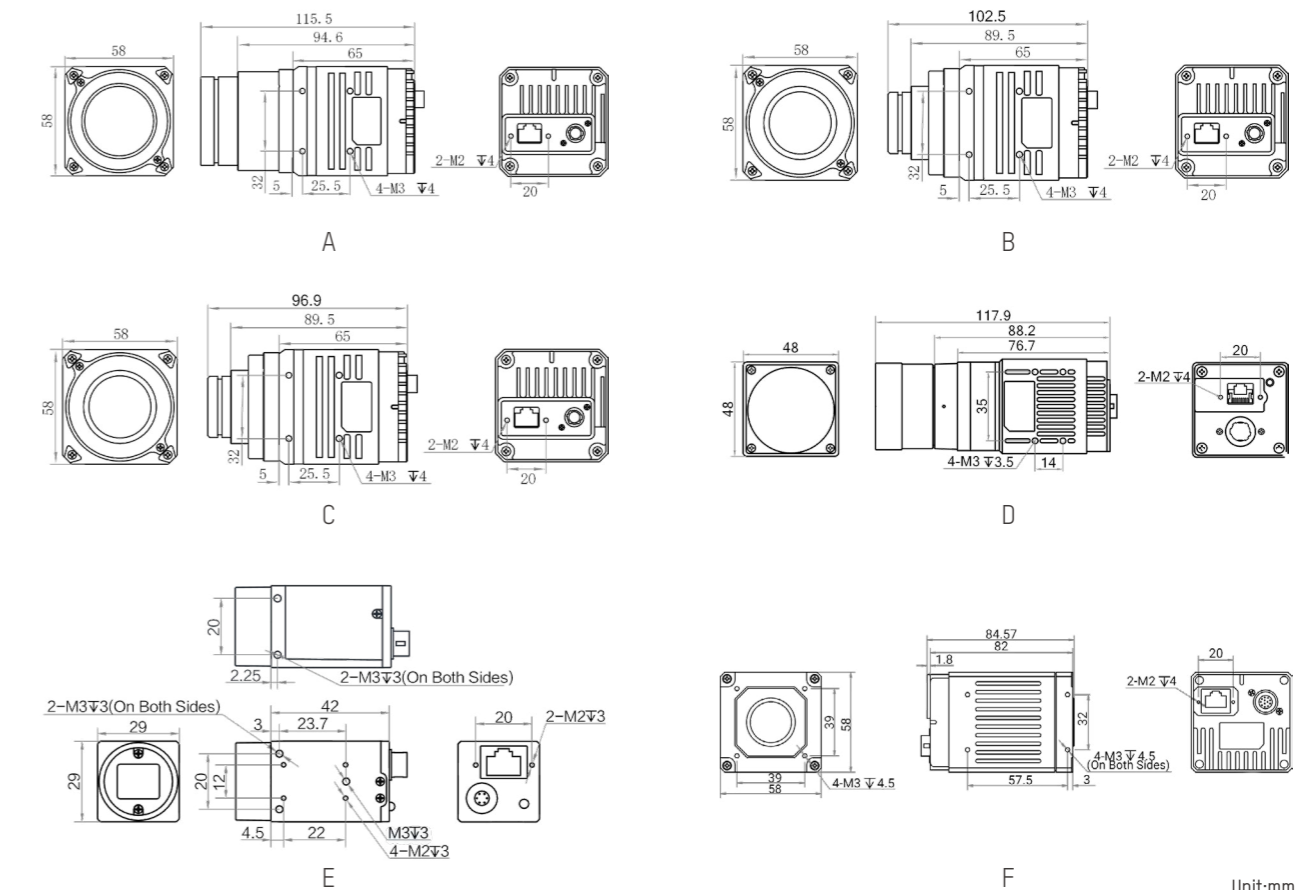


### Specifications

Model	Observation/Thermometry	Temperature measurement range	Temperature measurement accuracy	Spectral range	Resolution	Max. frame rate	NETD	Label
MV-CI003-GL-N6	Observation	/	/	8-14 μm	640 × 512	50 fps	< 35 mk (F1.0, 25°C)	A
MV-CI003-GL-N15	Observation	/	/	8-14 μm	640 × 512	50 fps	< 35 mk (F1.0, 25°C)	B
MV-CI003-GL-N25	Observation	/	/	8-14 μm	640 × 512	50 fps	< 35 mk (F1.0, 25°C)	C
MV-CI003-GL-N35	Observation	/	/	8-14 μm	640 × 512	50 fps	< 35 mk (F1.0, 25°C)	A
MV-CI003-GL-T6	Thermometry	-20°C -150°C / 0°C -550°C	±2°C / read±2% (take great value)	8-14 μm	640 × 512	50 fps	< 50 mk (F1.0, 25°C)	D
MV-CI013-GS-NN *	/	/	/	/	1280 × 1024	91 fps	/	E
MV-CI013-GS-TF	/	/	/	/	1280 × 1024	91 fps	/	F

Notice: \* will be released soon  
Lens replacement not supported

### Dimension



Unit:mm

# Frame Grabber

Frame grabber is one of the core accessories in the machine vision system. It can provide customers with 1-stop solutions and product selection.



Rich interfaces to meet different protocol applications



Full technical support system

## Specifications



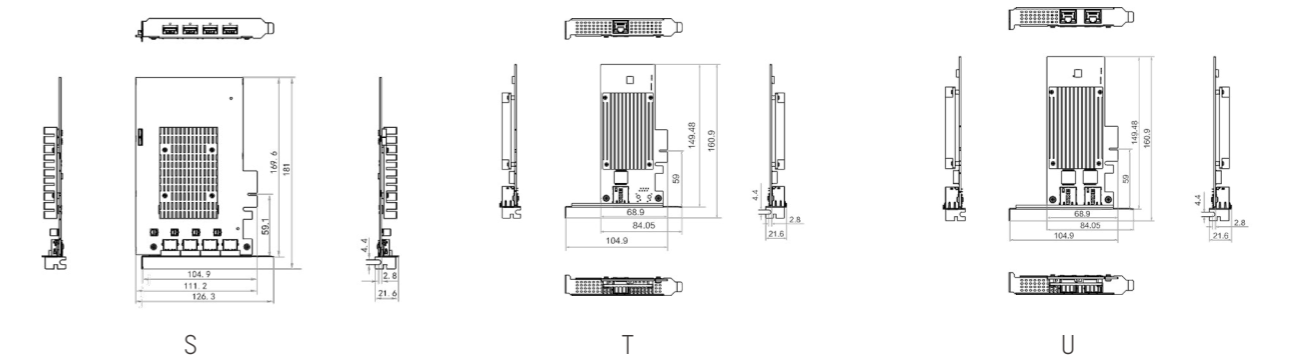
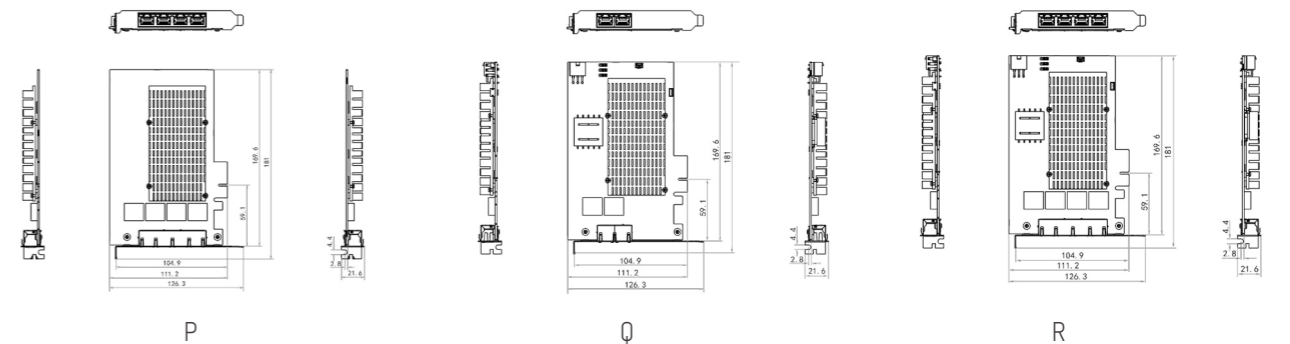
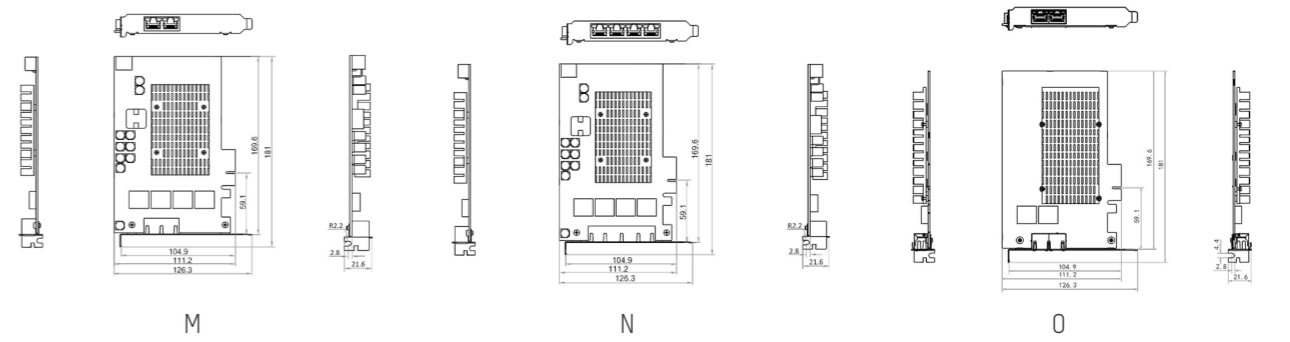
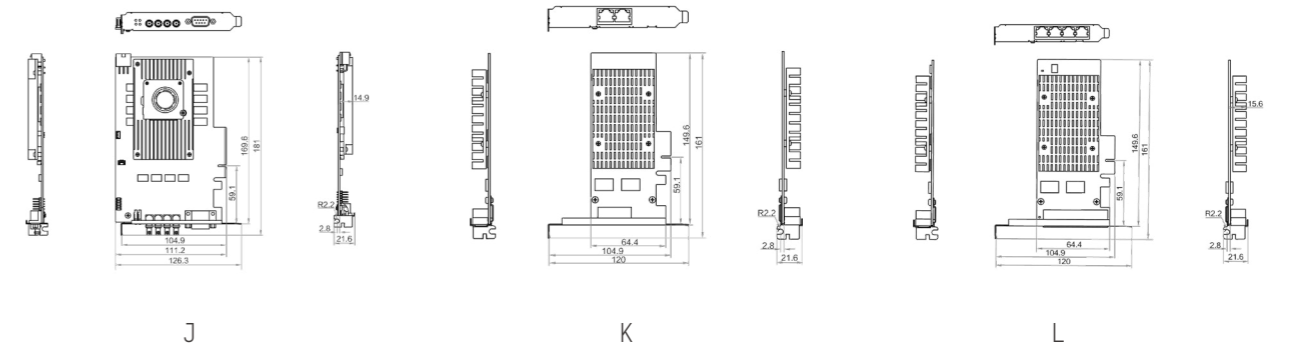
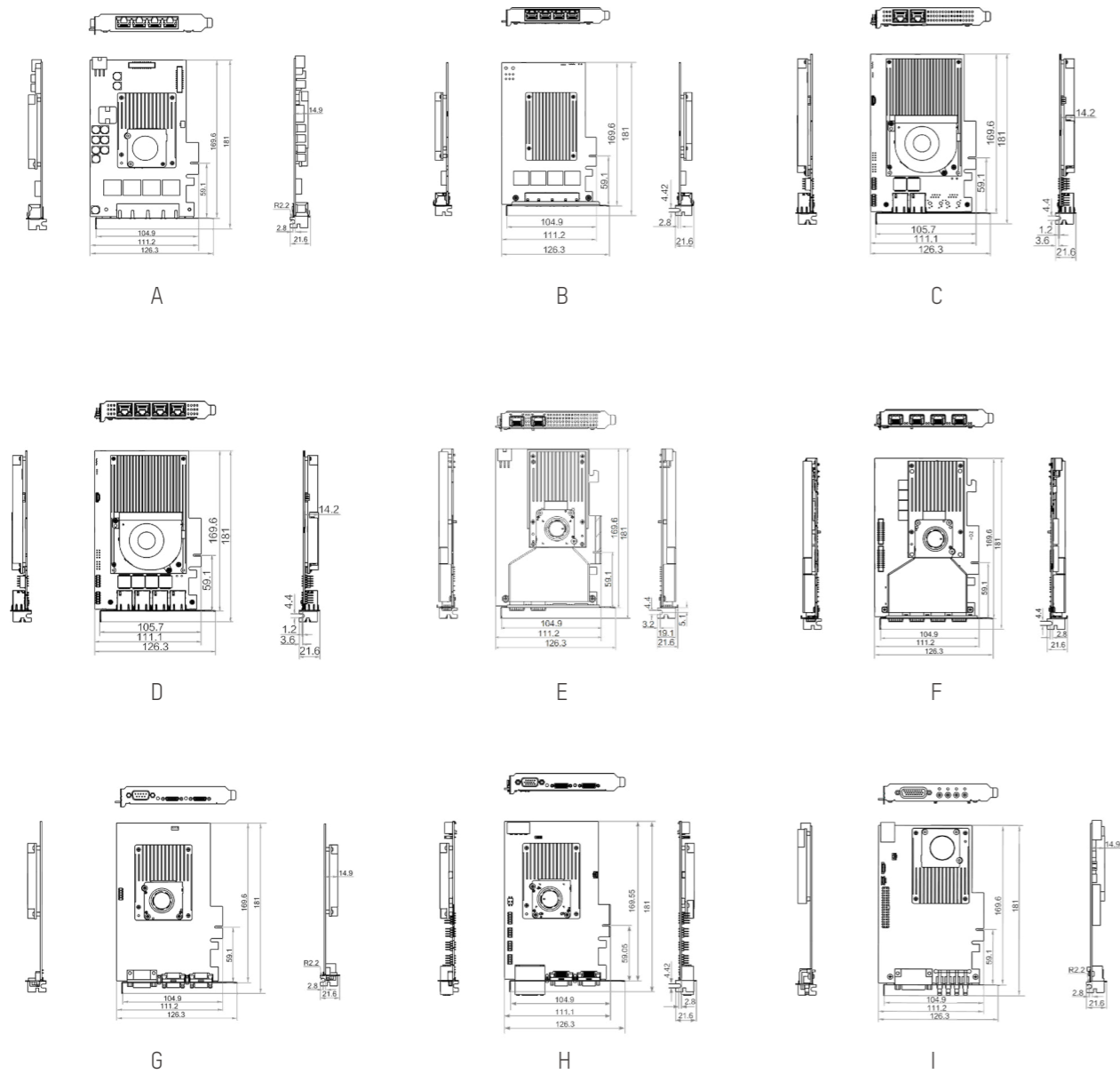
Camera type supported	Model	Interconnect	Delivery bandwidth	Interface(Optical module equipped additionally)	Camera connection speed	Power consumption	Label
GigE industrial camera	MV-GE1004	PCI-E gen2 × 4	1720 MB/s (max. transmission bandwidth), 1600 MB/s (sustained transmission bandwidth)	4 × RJ45	1 Gbps	Typ. 10 W (without PoE)	A
	MV-GE1104	PCI-E gen2 × 4	1720 MB/s (max. transmission bandwidth), 1600 MB/s (sustained transmission bandwidth)	4 × RJ45	1 Gbps	Typ. 10 W (without PoE)	B
10GigE & XoF industrial camera	MV-GT1002	PCI-E gen2 × 8	3900 MB/s (max. transmission bandwidth), 3350 MB/s (sustained transmission bandwidth)	2 × RJ45	10 Gbp	Typ. 19.2 W	C
	MV-GT1004	PCI-E gen2 × 8	3900 MB/s (max. transmission bandwidth), 3350 MB/s (sustained transmission bandwidth)	4 × RJ45	10 Gbp	Typ. 24 W	D
10 GigE Fiber industrial camera	MV-GS1002F	PCI-E gen2 × 8	3900 MB/s (max. transmission bandwidth), 3350 MB/s (sustained transmission bandwidth)	2 × SFP+	20 Gbps	Typ. 20 W	E
	MV-GS1004	PCI-E gen2 × 8	3900 MB/s (max. transmission bandwidth), 3350 MB/s (sustained transmission bandwidth)	4 × SFP	10 Gbps	Typ. 20 W	F

Camera type supported	Model	Interconnect	Delivery bandwidth	Interface(Optical module equipped additionally)	Camera connection speed	Power consumption	Label
Camera Link industrial camera	MV-GC1102IOL	PCI-E gen2 × 4	1720 MB/s (max. transmission bandwidth), 1600 MB/s (sustained transmission bandwidth)	2 × SDR	6.8 Gbps	Typ. 10 W (without PoCL)	G
	MV-GC1002-V2*	PCI-E gen2 × 4	1720 MB/s (max. transmission bandwidth), 1600 MB/s (sustained transmission bandwidth)	2 × SDR	6.8 Gbps	Typ. 10 W (without PoCL)	H
CXP-6 connector industrial camera	MV-GX1004	PCI-E gen2 × 8	3900 MB/s (max. transmission bandwidth), 3350 MB/s (sustained transmission bandwidth)	4 × DIN 1.0/2.3	1.25/2.5/3.125/5/6.25Gbps (CXP-1/2/3/5/6)	Typ. 20 W (without PoCXP)	I
	MV-GX1014	PCI-E gen2 × 8	3900 MB/s (max. transmission bandwidth), 3350 MB/s (sustained transmission bandwidth)	4 × DIN 1.0/2.3	1.25/2.5/3.125/5/6.25Gbps (CXP-1/2/3/5/6)	Typ. 20 W (without PoCL)	I
CXP-6/CXP-12 connector industrial camera	MV-GY1004	PCI-E gen3 × 8	7800 MB/s (max. transmission bandwidth), 6700 MB/s (sustained transmission bandwidth)	4 × HD-BNC	1.25/2.5/3.125/5/6.25/10/12.5Gbps (CXP-1/2/3/5/6/10/12)	Typ. 20 W (without PoCXP)	J
GigE industrial camera	MV-GE2002	PCI-E gen2 × 4, PCI-E gen2 × 2 link	860 MB/s (max. transmission bandwidth), 800 MB/s (sustained transmission bandwidth)	2 × RJ45	10/100/1000 Mbps	Typ. 4.3 W	K
	MV-GE2004	PCI-E gen2 × 4, PCI-E gen2 × 2 link	860 MB/s (max. transmission bandwidth), 800 MB/s (sustained transmission bandwidth)	4 × RJ45	10/100/1000 Mbps	Typ. 5.5 W	L
	MV-GE2002P	PCI-E gen2 × 4, PCI-E gen2 × 2 link	860 MB/s (max. transmission bandwidth), 800 MB/s (sustained transmission bandwidth)	2 × RJ45	10/100/1000 Mbps	Typ. 7.5 W (without PoE)	M
	MV-GE2004P	PCI-E gen2 × 4, PCI-E gen2 × 2 link	860 MB/s (max. transmission bandwidth), 800 MB/s (sustained transmission bandwidth)	4 × RJ45	10/100/1000 Mbps	Typ. 9 W (without PoE)	N
	MV-GE2202	PCI-E gen2 × 4, PCI-E gen2 × 2 link	860 MB/s (max. transmission bandwidth), 800 MB/s (sustained transmission bandwidth)	2 × RJ45	10/100/1000 Mbps	Typ. 2 W	O
	MV-GE2204	PCI-E gen2 × 4, PCI-E gen2 × 2 link	860 MB/s (max. transmission bandwidth), 800 MB/s (sustained transmission bandwidth)	4 × RJ45	10/100/1000 Mbps	Typ. 3 W	P
	MV-GE2202P	PCI-E gen2 × 4, PCI-E gen2 × 2 link	860 MB/s (max. transmission bandwidth), 800 MB/s (sustained transmission bandwidth)	2 × RJ45	10/100/1000 Mbps	Typ. 2 W (without PoE)	Q
	MV-GE2204P	PCI-E gen2 × 4, PCI-E gen2 × 2 link	860 MB/s (max. transmission bandwidth), 800 MB/s (sustained transmission bandwidth)	4 × RJ45	10/100/1000 Mbps	Typ. 3 W (without PoE)	R

Camera type supported	Model	Interconnect	Delivery bandwidth	Interface(Optical module equipped additionally)	Camera connection speed	Power consumption	Label
USB industrial camera	MV-GU2104	PCI-E gen2 × 4	1720 MB/s (max. transmission bandwidth), 1600 MB/s (sustained transmission bandwidth)	USB3.0 type-A	Max. 5 Gbps	Typ. 6 W (without USB power supply) Typ. 24 W (with USB power supply)	S
10 GigE industrial camera	MV-GT2001	PCI-E gen2 × 4	1000 MB/s (max. transmission bandwidth), 1000 MB/s (sustained transmission bandwidth)	1 × RJ45	10 Gbps	Typ. 7 W	T
	MV-GT2002	PCI-E gen2 × 8	2000 MB/s (max. transmission bandwidth), 2000 MB/s (sustained transmission bandwidth)	2 × RJ45	10 Gbps	Typ. 10W	U

Notice: \* will be released soon.

## Dimension

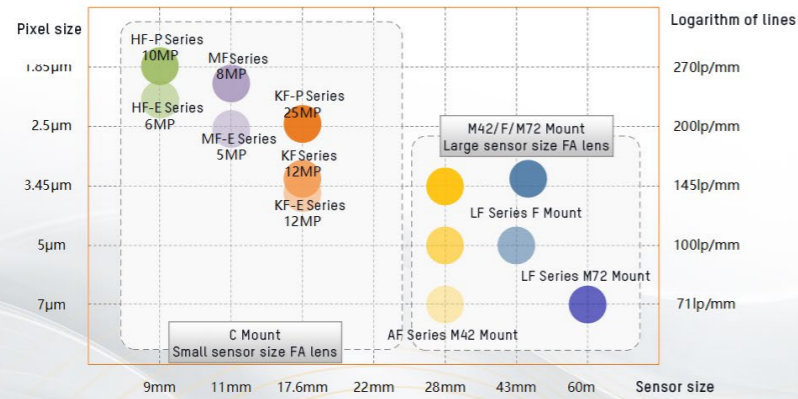


Unit:mm

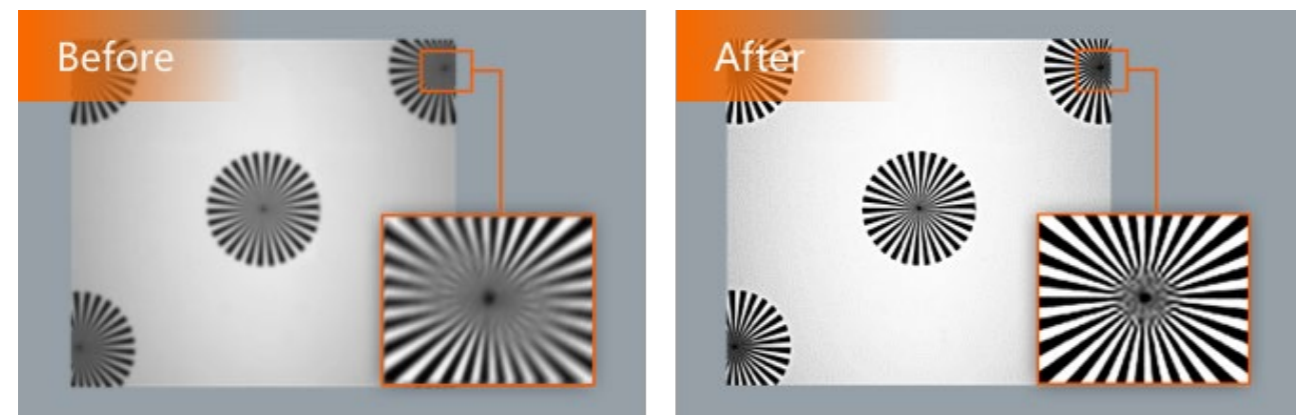


# Lens

Self-developed FA series lens especially for vision application characteristics, has the design concept of high performance and low cost. The product features high definition, better image center-edge definition consistency, and higher relative illumination to provide better choices.



Wide sensor size coverage



High resolution with great imaging consistency

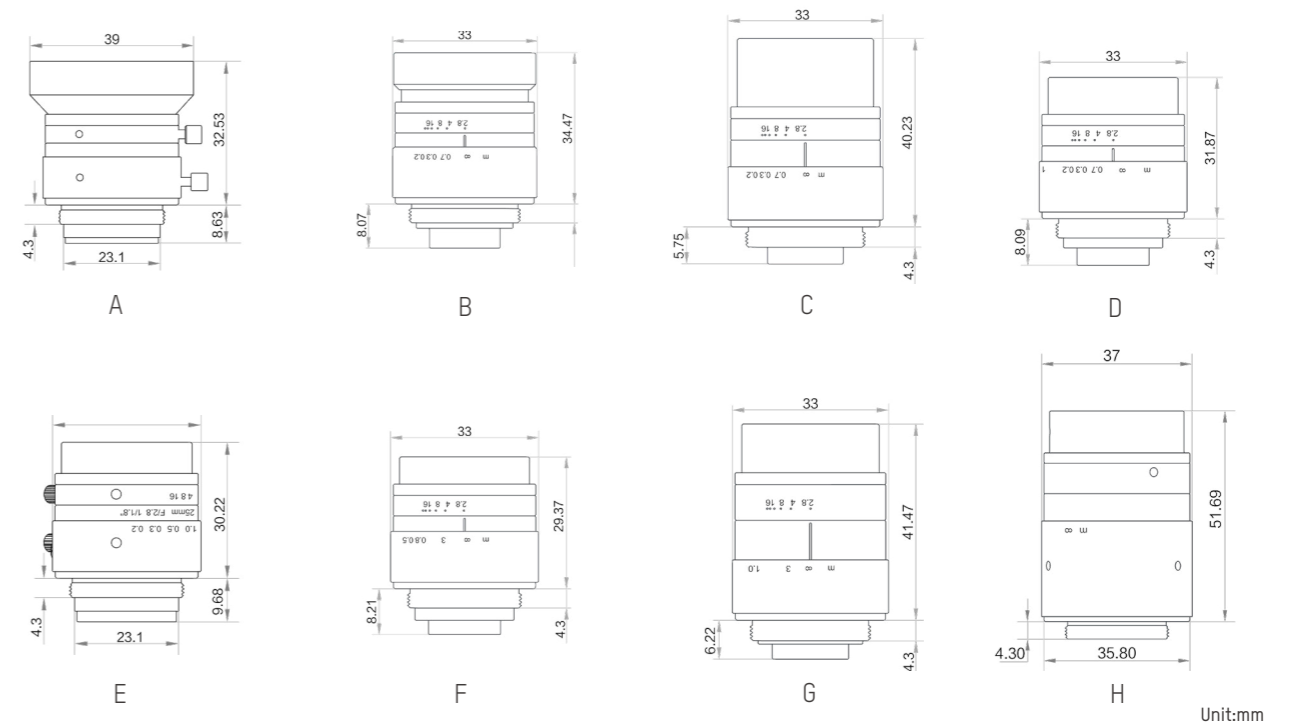
## HF-E Series (1/1.8" 6MP)

**RoHS**

### Specifications

Model	Focal Length	F No.	Distortion	Field of View			M.O.D (m)	Filter Thread	Mount	Label
				D	H	V				
MVL-HF0628M-6MPE	6 mm	F2.8-F16	-0.103%	73.49°	63.11°	44.59°	0.1	M37.5 × P0.5	C	A
MVL-HF0828M-6MPE	8 mm	F2.8-F16	0.049%	58.50°	49.46°	34.19°	0.1	M30.5 × P0.5	C	B
MVL-HF1228M-6MPE	12 mm	F2.8-F16	-0.005%	40.94°	34.14°	23.17°	0.1	M27 × P0.5	C	C
MVL-HF1628M-6MPE	16 mm	F2.8-F16	-0.018%	31.28°	25.94°	17.48°	0.1	M27 × P0.5	C	D
MVL-HF2528M-6MPE	25 mm	F2.8-F16	-0.028%	20.32°	16.77°	11.24°	0.2	M27 × P0.5	C	E
MVL-HF3028M-6MPE	30 mm	F2.8-F16	-0.031%	16.99°	14.01°	9.38°	0.2	M27 × P0.5	C	F
MVL-HF4028M-6MPE	40 mm	F2.8-F16	-0.024%	12.78°	10.53°	7.04°	0.25	M27 × P0.5	C	G
MVL-HF5028M-6MPE	50 mm	F2.8-F16	0.030%	9.72°	7.84°	5.24°	0.25	M30.5 × 0.5	C	H

### Dimension



Unit:mm

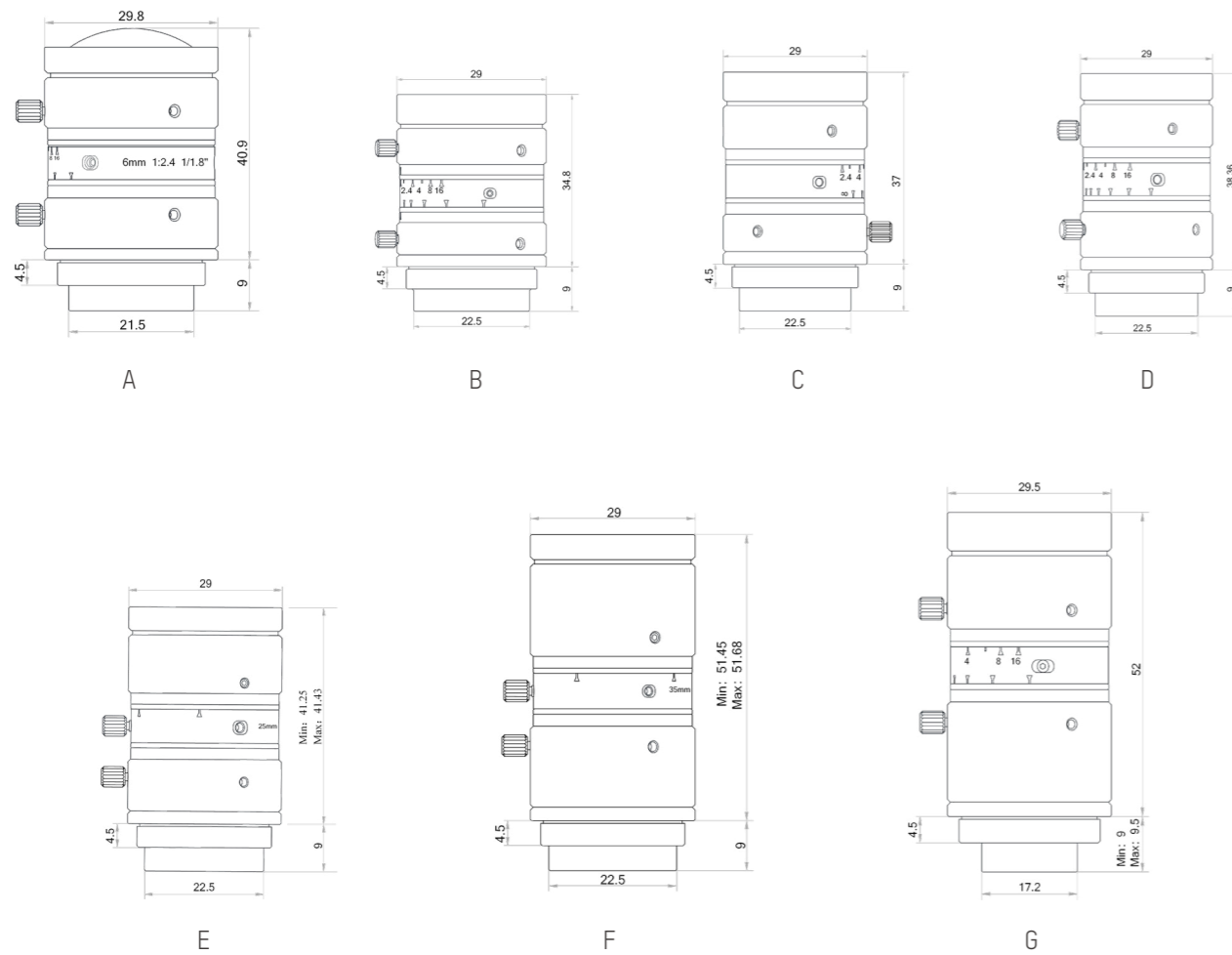
## HF-P Series (1/1.8" 10MP)

**RoHS**

### Specifications

Model	Focal Length	F No.	Distortion	Field of View			M.O.D (m)	Filter Thread	Mount	Label
				D	H	V				
MVL-HF0624M-10MP	6 mm	F2.4-F16	0.37%	72.96°	62.46°	44.05°	0.1	/	C	A
MVL-HF0824M-10MP	8 mm	F2.4-F16	-0.67%	58.81°	49.56°	34.04°	0.1	M27 × 0.5	C	B
MVL-HF1224M-10MP	12 mm	F2.4-F16	0.15%	40.2°	33.6°	22.9°	0.1	M27 × 0.5	C	C
MVL-HF1624M-10MP	16 mm	F2.4-F16	-0.02%	30.17°	25.07°	16.92°	0.1	M27 × 0.5	C	D
MVL-HF2524M-10MP	25 mm	F2.4-F16	-0.01%	19.67°	16.19°	10.85°	0.1	M27 × 0.5	C	E
MVL-HF3524M-10MP	35 mm	F2.4-F16	0.01%	13.47°	11.03°	7.34°	0.15	M27 × 0.5	C	F
MVL-HF5024M-10MP	50 mm	F2.4-F16	0.03%	9.10°	7.48°	5.00°	0.3	M27 × 0.5	C	G

### Dimension



Unit:mm

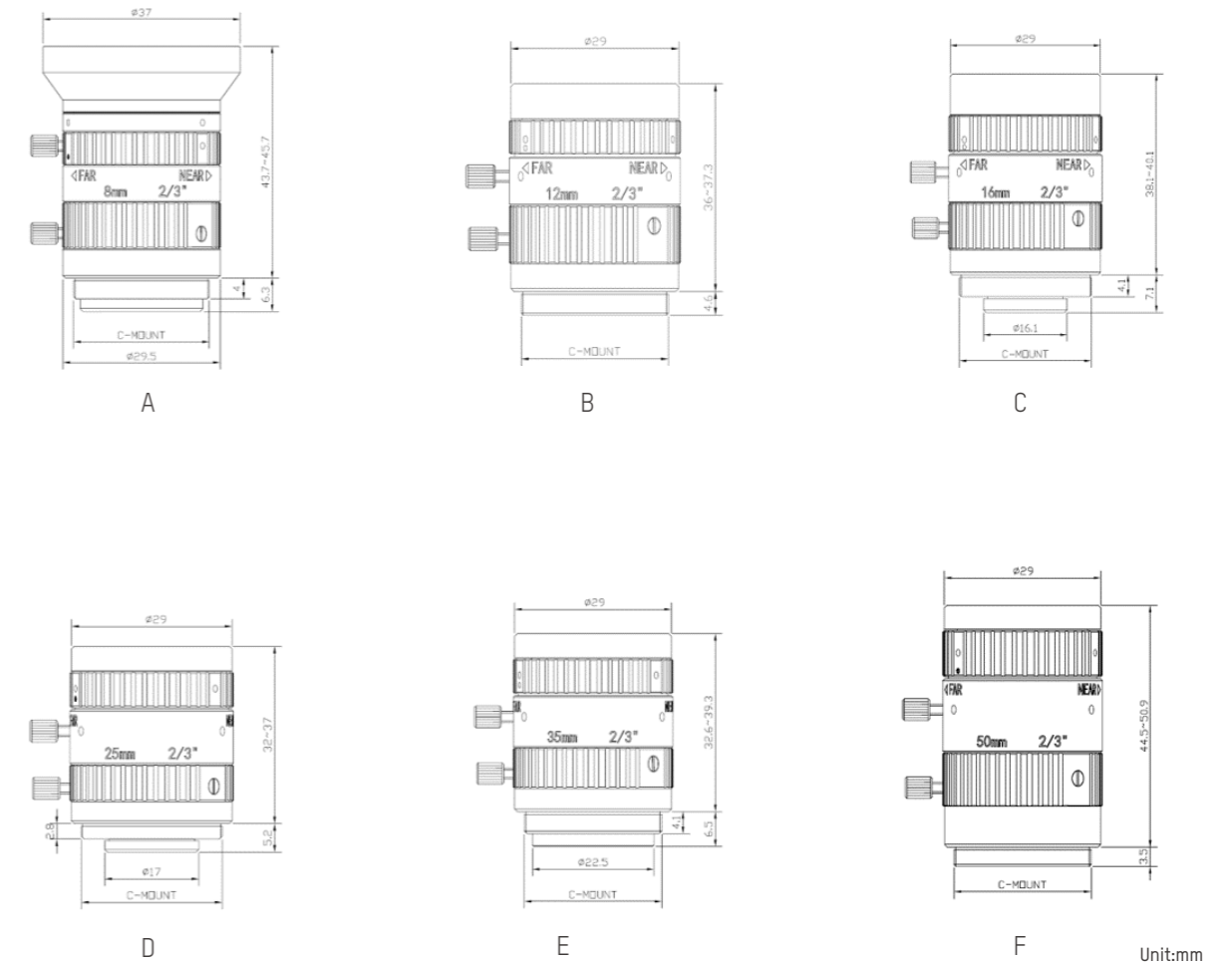
## MF-E Series (2/3" 5MP)

**RoHS**

### Specifications

Model	Focal Length	F No.	Distortion	Field of View			M.O.D (m)	Filter Thread	Mount	Label
				D	H	V				
MVL-MF0824M-5MPE	8 mm	F2.4-F16	2.03%	69.46°	55.57°	41.68°	0.10m	M35.5×0.5	C-Mount	A
MVL-MF1224M-5MPE	12 mm	F2.4-F16	-0.16%	49.67°	39.09°	33.08°	0.25m	M27×0.5	C-Mount	B
MVL-MF1618M-5MPE	16 mm	F1.8-F16	0.98%	38.98°	30.75°	25.08°	0.20m	M27×0.5	C-Mount	C
MVL-MF2518M-5MPE	25 mm	F1.8-F16	0.77%	24.26°	18.78°	15.63°	0.20m	M27×0.5	C-Mount	D
MVL-MF3518M-5MPE	35 mm	F1.8-F16	0.02%	17.46°	13.43°	11.26°	0.25m	M27×0.5	C-Mount	E
MVL-MF5028M-5MPE	50 mm	F2.8-F16	0.08%	12.83°	9.86°	8.26°	0.40m	M27×0.5	C-Mount	F

### Dimension



Unit:mm

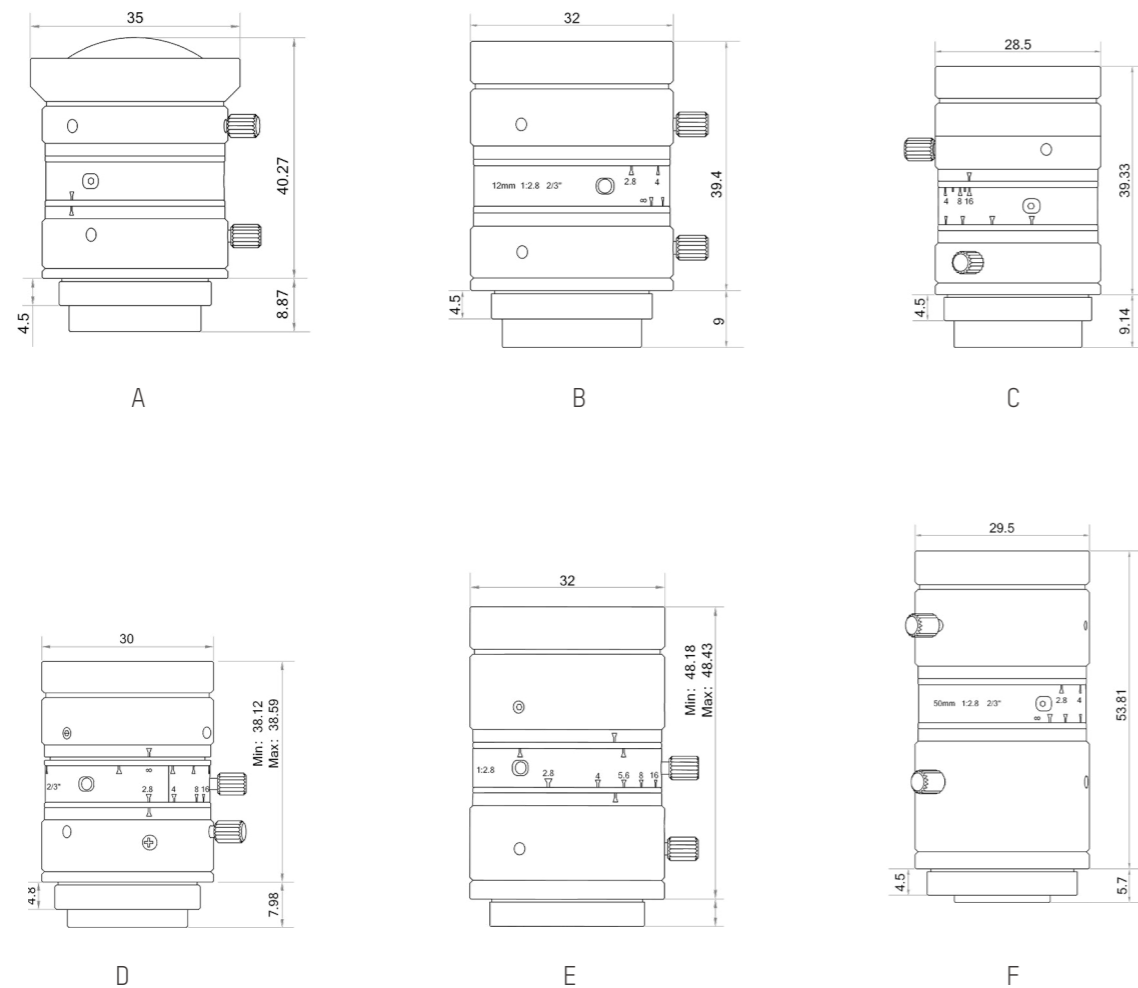
## MF Series (2/3" 8MP)

**RoHS**

### Specifications

Model	Focal Length	F No.	Distortion	Field of View			M.O.D (m)	Filter Thread	Mount	Label
				D	H	V				
MVL-MF0828M-8MP	8 mm	F2.8-F16	0.28%	68.46°	54.97°	47.06°	0.1	/	C	A
MVL-MF1228M-8MP	12 mm	F2.8-F16	0.28%	48.57°	37.88°	32.04°	0.1	M30.5 × 0.5	C	B
MVL-MF1628M-8MP	16 mm	F2.8-F16	0.33%	37.39°	28.9°	24.33°	0.1	M27 × 0.5	C	C
MVL-MF2528M-8MP	25 mm	F2.8-F16	0.01%	23.23°	17.78°	14.91°	0.1	M27 × 0.5	C	D
MVL-MF3528M-8MP	35 mm	F2.8-F16	0.02%	15.26°	11.65°	9.76°	0.15	M30.5 × 0.5	C	E
MVL-MF5028M-8MP	50 mm	F2.8-F16	0.01%	11.67°	8.81°	7.38°	0.4	M27 × 0.5	C	F

### Dimension



Unit:mm

## KF-E Series (1.1" 12MP)

**RoHS**

### Specifications

Model	Focal Length	F No.	Distortion	Field of View			M.O.D (m)	Filter Thread	Mount	Label
				D	H	V				
MVL-KF0618M-12MPE	6 mm	F1.8-F16	2.50%	118.2°	104.9°	86.2°	0.1	/	C	A
MVL-KF0814M-12MPE	8 mm	F1.4-F16	5.50%	98.4°	84.8°	68°	0.1	M58 × 0.75	C	B
MVL-KF1228M-12MPE	12 mm	F2.8-F22	1.50%	66.7°	57°	45°	0.1	/	C	C
MVL-KF1628M-12MPE	16 mm	F2.8-F16	0.15%	55.6°	45.8°	35.3°	0.1	M43 × 0.75	C	D
MVL-KF2528M-12MPE	25 mm	F2.8-F22	0.10%	37.6°	30.4°	23°	0.1	M35.5 × 0.5	C	E
MVL-KF3528M-12MPE	35 mm	F2.8-F22	0.02%	28.3°	22.6°	17°	0.2	M35.5 × 0.5	C	F
MVL-KF5028M-12MPE	50 mm	F2.8-F22	0.04%	19.9°	15.9°	11.9°	0.3	M35.5 × 0.5	C	G

### Dimension



Unit:mm



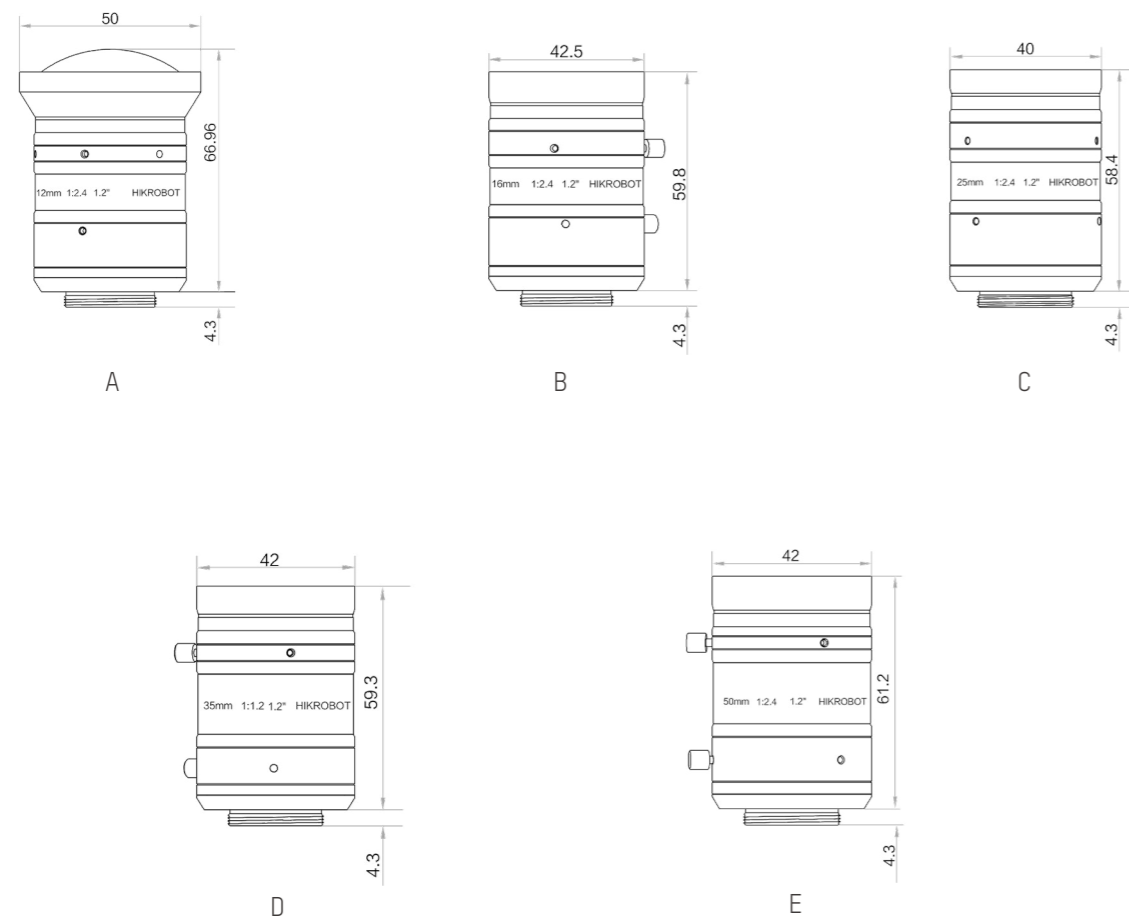
## ■ KF-P Series (1.2" 25MP)

**RoHS**

### Specifications

Model	Focal Length	F No.	Distortion	Field of View			M.O.D (m)	Filter Thread	Mount	Label
				D	H	V				
MVL-KF1224M-25MP	12 mm	F2.4-F16	0.39%	76.37°	62.32°	55.34°	0.1	/	C	A
MVL-KF1624M-25MP	16 mm	F2.4-F16	0.07%	61.61°	48.82°	42.89°	0.1	M40.5 × 0.5	C	B
MVL-KF2524M-25MP	25 mm	F2.4-F16	-0.04%	40.80°	31.42°	27.34°	0.15	M37 × 0.5	C	C
MVL-KF3524M-25MP	35 mm	F2.4-F16	0.02%	29.48°	22.51°	19.54°	0.15	M40.5 × 0.5	C	D
MVL-KF5024M-25MP	50 mm	F2.4-F16	0.01%	20.60°	15.66°	13.57°	0.25	M40.5 × 0.5	C	E

### Dimension



Unit:mm

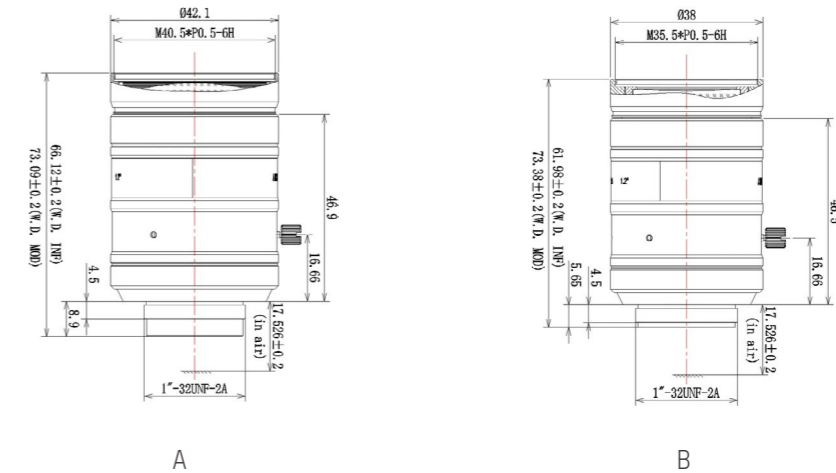
## ■ KF-P Anti Vibration Series (1.2" 25MP)

**RoHS**

### Specifications

Model	Focal Length	F No.	Distortion	Field of View			M.O.D (m)	Filter Thread	Mount	Label
				D	H	V				
MVL-KF1640-25MP *	16 mm	F4	0.04%	61.7°	48.77°	42.83°	0.08	M40.5 × 0.5	C	A
MVL-KF2540-25MP *	25 mm	F4	-0.08%	41.6°	32.04°	27.88°	0.08	M35.5 × 0.5	C	B

### Dimension



Unit:mm

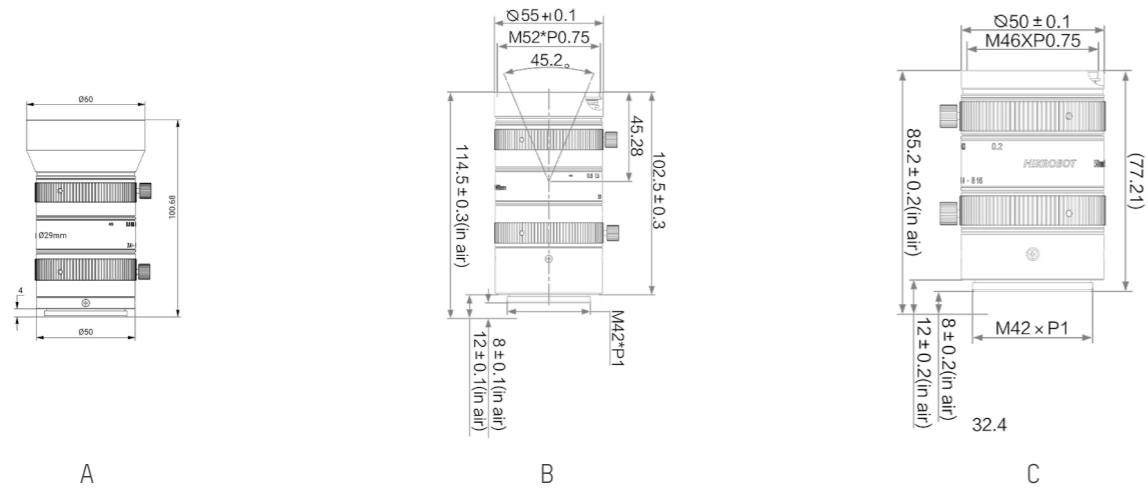
## AF Series (Half Frame Lens)

**RoHS**

### Specifications

Model	Focal Length	F No.	Distortion	Field of View	Magnification Range	Filter Thread	Mount	Label
MVL-AF2524M-M42 *	25 mm	F2.4-F16	-0.34%	H(4K7 $\mu$ m, 28.7mm):56°	0.143x-0.001x	M58 $\times$ 0.75	M42 $\times$ P1	A
MVL-AF3528M-M42A *	35 mm	F2.8-F16	-0.16%	H(4K7 $\mu$ m, 28.7mm):42°	0.164x-0.001x	M52 $\times$ 0.75	M42 $\times$ P1	B
MVL-AF5028M-M42A *	50 mm	F2.8-F16	0.05%	H(4K7 $\mu$ m, 28.7mm):31°	0.267-0.001x	M46 $\times$ 0.75	M42 $\times$ P1	C

### Dimension



Unit:mm

## LF Series (Large Image Circle Lens)

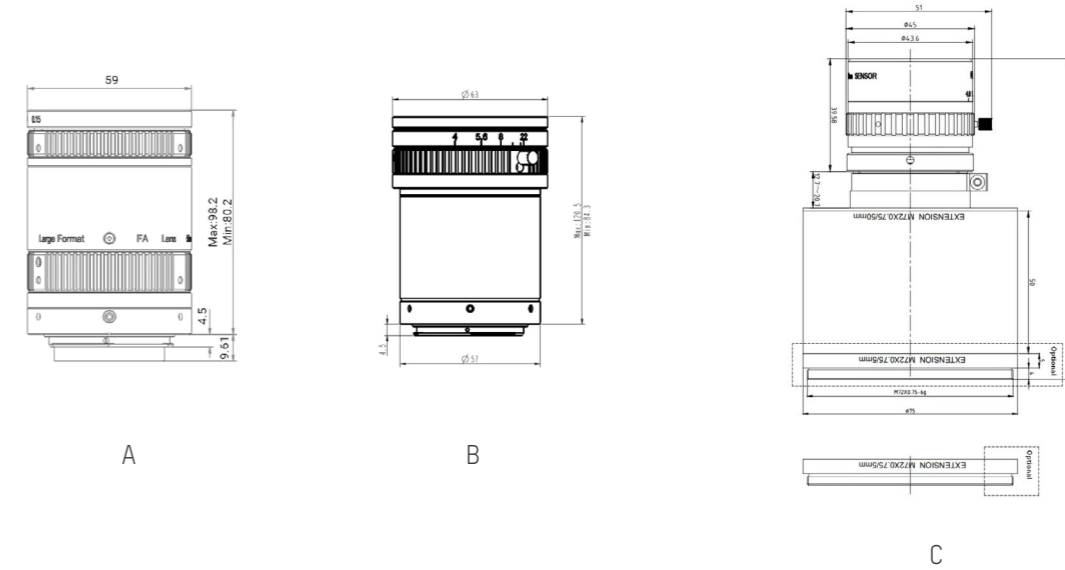
**RoHS**

### Specifications

Model	Focal Length	F No.	Distortion	Field of View	Magnification Range	Filter Thread	Mount	Label
MVL-LF5040M-F	50 mm	F4.0-F22	0.41%	H(8K7 $\mu$ m, 57.4mm): 52.8°	0.33x-0.01x	M52 $\times$ 0.75	F	A
MVL-LF8040M-F	80 mm	F4.0-F22	0.12%	H(8K7 $\mu$ m, 57.4mm): 31.6°	0.4x-0.01x	M52 $\times$ 0.75	F	B
MVL-LF8040M-021V-M72 *	80 mm	F4.0-F22	-0.11%	H(8K7 $\mu$ m, 57.4mm): 33°	0.31x-0.12x	M39 $\times$ 0.5	M72 $\times$ P0.75	C

Notice: \* will be released soon  
Horizontal FOV: Calculated with a line scan camera (4K 7 $\mu$ m, chip horizontal size: 28.7mm)

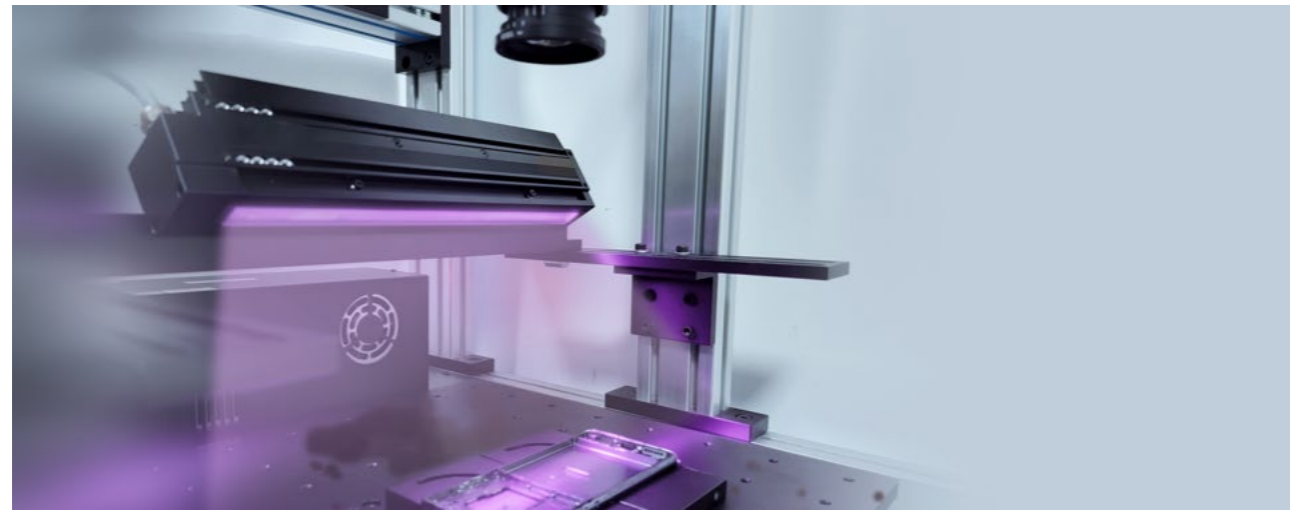
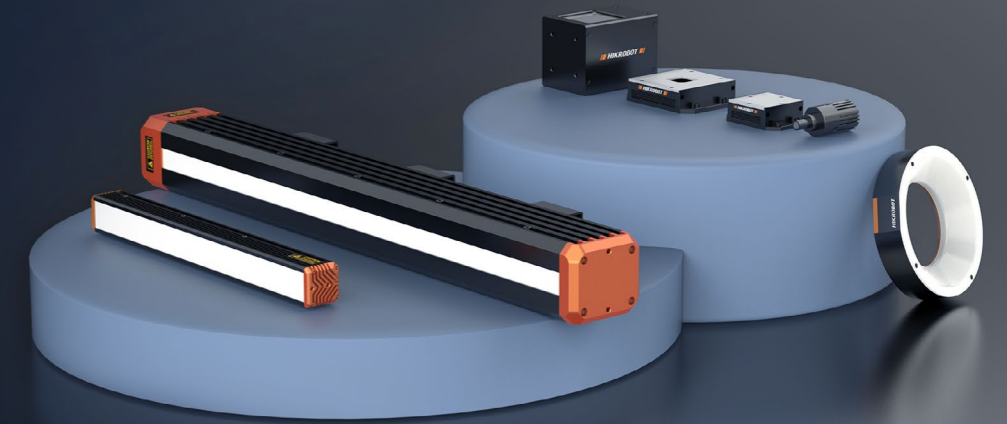
### Dimension



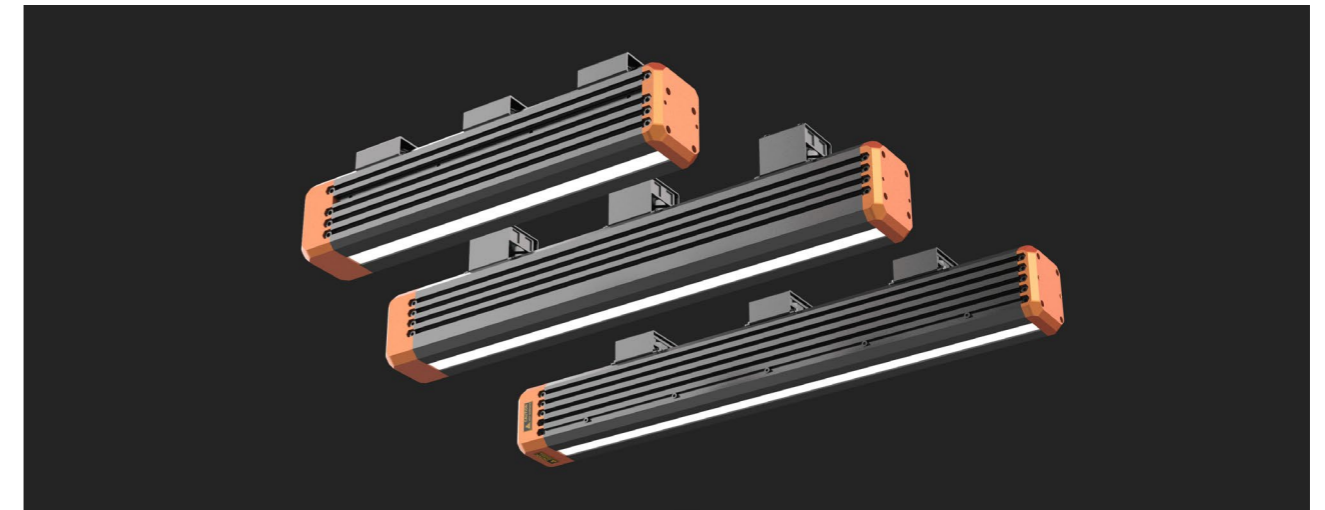
Unit:mm

## Lighting

Hikrobot light source, covering ring-type, bar-type, flat-type, dot-type, line-scan-type, coaxial-type and other series., covering ring light source, strip light source series and line light source series. Designed with new product family style, is efficient and stable, can meet the needs of most conventional visual lighting applications.



Higher Illumination Brightness, Better Optical Performance



Multi-size design, strong adaptability

## Ring-Type Lighting

### Standard Ring-Type Lighting

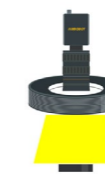
MV-LRDS-H standard ring-type lighting, provide various sizes, irradiation angles specification and model, built in high-quality LED, while ensuring lighting concentration, improve inside dissipation design, ensure that the lighting works stably and efficiently.

**CE RoHS**

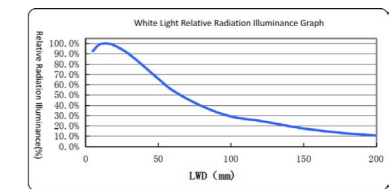
Product



Lighting Signal



White Light Relative Radiation Illuminance Graph



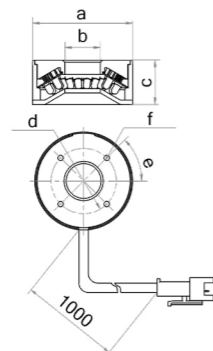
## Specifications

Model	Outer dimensions	Bore dimensions	Thickness	Mounting hole spacing	Mounting hole offset angle	Mounting hole size	Irradiation angle	LED rows	Power consumption	Best working distance	Connector type
MV-LRDS-H-45-60-W	Φ45 mm	Φ16 mm	20 mm	Ø30	45°	4-M3	60°	2	2.5 W	40~70 mm	SMR-03V-B
MV-LRDS-H-45-90-W	Φ45 mm	Φ15 mm	19 mm	Ø30	45°	4-M3	90°	2	2.1 W	80~90 mm	SMR-03V-B
MV-LRDS-H-55-60-W	Φ55 mm	Φ25 mm	20 mm	Ø40	45°	4-M3	60°	2	2.9 W	40~70 mm	SMR-03V-B
MV-LRDS-H-55-90-W	Φ55 mm	Φ23 mm	19 mm	Ø40	45°	4-M3	90°	2	3 W	80~90 mm	SMR-03V-B
MV-LRDS-H-65-30-W	Φ65 mm	Φ30 mm	21 mm	Ø38	45°	4-M3	30°	2	3.8 W	20~30 mm	SMR-03V-B
MV-LRDS-H-65-60-W	Φ65 mm	Φ30 mm	20 mm	Ø50	45°	4-M3	60°	2	3.2 W	60~70 mm	SMR-03V-B
MV-LRDS-H-65-90-W	Φ65 mm	Φ30 mm	19 mm	Ø50	45°	4-M3	90°	2	3.8 W	90~100 mm	SMR-03V-B



Model	Outer dimensions	Bore dimensions	Thickness	Mounting hole spacing	Mounting hole offset angle	Mounting hole size	Irradiation angle	LED rows	Power consumption	Best working distance	Connector type
MV-LRDS-H-80-15-W	Φ80 mm	Φ45 mm	21 mm	Ø53	45°	4-M3	15°	2	5.1 W	20-30 mm	SMR-03V-B
MV-LRDS-H-80-30-W	Φ80 mm	Φ45 mm	21 mm	Ø53	45°	4-M3	30°	2	5.5 W	20-30 mm	SMR-03V-B
MV-LRDS-H-80-60-W	Φ80 mm	Φ40 mm	20 mm	Ø65	45°	4-M3	60°	3	6.5 W	60-70 mm	SMR-03V-B
MV-LRDS-H-80-90-W	Φ80 mm	Φ35 mm	20 mm	Ø65	45°	4-M3	90°	3	7.2 W	100-110 mm	SMR-03V-B
MV-LRDS-H-95-00-W	Φ95 mm	Φ60 mm	17 mm	Ø75	45°	4-M3	0°	1	3.4 W	0-10 mm	SMR-03V-B
MV-LRDS-H-95-30-W	Φ95 mm	Φ60 mm	21 mm	Ø68	45°	4-M3	30°	2	6.8 W	20-40 mm	SMR-03V-B
MV-LRDS-H-95-60-W	Φ95 mm	Φ45 mm	21 mm	Ø75	45°	4-M3	60°	4	10.4 W	60-100 mm	SMR-03V-B
MV-LRDS-H-95-90-W	Φ95 mm	Φ45 mm	20 mm	Ø75	45°	4-M3	90°	4	11.4 W	90-120 mm	SMR-03V-B
MV-LRDS-H-105-00-W	Φ105 mm	Φ70 mm	15 mm	Ø80	45°	4-M3	0°	1	3.4 W	0-10 mm	SMR-03V-B
MV-LRDS-H-105-30-W	Φ105 mm	Φ62 mm	26 mm	Ø90	45°	4-M3	30°	3	10.6 W	20-40 mm	SMR-03V-B
MV-LRDS-H-105-60-W	Φ105 mm	Φ45 mm	25 mm	Ø85	45°	4-M3	60°	5	13 W	90-120 mm	SMR-03V-B
MV-LRDS-H-105-90-W	Φ105 mm	Φ43 mm	20 mm	Ø80	45°	4-M3	90°	5	14.4 W	90-120 mm	SMR-03V-B
MV-LRDS-H-120-00-W	Φ120 mm	Φ87 mm	15 mm	Ø90	45°	4-M3	0°	1	4.2 W	0-10 mm	SMR-03V-B
MV-LRDS-H-120-30-W	Φ120 mm	Φ74 mm	30 mm	Ø100	45°	4-M3	30°	3	12.2 W	20-40 mm	SMR-03V-B
MV-LRDS-H-120-45-W	Φ120 mm	Φ68 mm	27 mm	Ø100	45°	4-M3	45°	4	15.6 W	60-80 mm	SMR-03V-B
MV-LRDS-H-120-60-W	Φ120 mm	Φ60 mm	25 mm	Ø100	45°	4-M3	60°	5	15.8 W	90-110 mm	SMR-03V-B
MV-LRDS-H-120-75-W	Φ120 mm	Φ60 mm	21 mm	Ø100	45°	4-M3	75°	4	14.8 W	90-110 mm	SMR-03V-B
MV-LRDS-H-120-90-W	Φ120 mm	Φ60 mm	20 mm	Ø90	45°	4-M3	90°	4	14.8 W	90-120 mm	SMR-03V-B
MV-LRDS-H-140-15-W	Φ140 mm	Φ105 mm	25 mm	Ø115	45°	4-M3	15°	2	10.1 W	20-30 mm	SMR-03V-B
MV-LRDS-H-140-45-W	Φ140 mm	Φ90 mm	27 mm	Ø120	45°	4-M3	45°	4	19.4 W	60-80 mm	SMR-03V-B
MV-LRDS-H-140-90-W	Φ140 mm	Φ70 mm	20 mm	Ø120	45°	4-M3	90°	5	21.5 W	90-120 mm	SMR-03V-B
MV-LRDS-H-160-00-W	Φ160 mm	Φ120 mm	15 mm	Ø130	45°	4-M3	0°	1	5.9 W	0-10 mm	SMR-03V-B
MV-LRDS-H-160-30-W	Φ160 mm	Φ110 mm	30 mm	Ø140	45°	4-M3	30°	3	16.9 W	20-40 mm	SMR-03V-B
MV-LRDS-H-160-60-W	Φ160 mm	Φ95 mm	25 mm	Ø140	45°	4-M3	60°	5	22.7 W	70-90 mm	SMR-03V-B
MV-LRDS-H-160-90-W	Φ160 mm	Φ90 mm	20 mm	Ø110	45°	4-M3	90°	5	26.2 W	120-140 mm	SMR-03V-B
MV-LRDS-H-180-00-W	Φ180 mm	Φ140 mm	15 mm	Ø150	45°	4-M3	0°	1	13.6 W	0-10 mm	SMR-03V-B
MV-LRDS-H-180-60-W	Φ180 mm	Φ115 mm	25 mm	Ø160	45°	4-M3	60°	5	31.3 W	70-90 mm	SMR-03V-B
MV-LRDS-H-180-90-W	Φ180 mm	Φ100 mm	20 mm	Ø130	45°	4-M3	90°	6	35.5 W	140-160 mm	SMR-03V-B
MV-LRDS-H-200-00-W	Φ200 mm	Φ130 mm	15 mm	Ø170	60°	6-M3	0°	1	15.2 W	0-10 mm	SMR-03V-B
MV-LRDS-H-200-30-W	Φ200 mm	Φ150 mm	30 mm	Ø90	60°	6-M3	30°	3	22 W	20-40 mm	SMR-03V-B
MV-LRDS-H-200-90-W	Φ200 mm	Φ115 mm	20 mm	Ø150	60°	6-M3	90°	7	46 W	180-200 mm	SMR-03V-B
MV-LRDS-H-230-15-W	Φ230 mm	Φ180 mm	35 mm	Ø200	60°	6-M3	15°	4	35.5 W	20-30 mm	SMR-03V-B

## Dimension



- a: Outer dimensions
- b: Bore dimensions
- c: Thickness
- d: Mounting hole spacing
- e: Mounting hole offset angle
- f: Mounting hole size

Unit:mm

## Shadowless Ring-Type Lighting

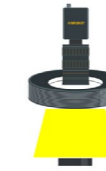


MV-LRSS-H shadowless ring-type lighting adopts special diffuse plate included, achieve uniform range irradiation with high degrees of freedom, chip LED with built-in large luminous angle, and provide a variety of sizes for selection.

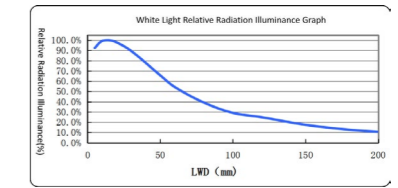
Product



Lighting Signal



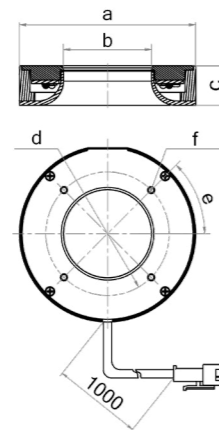
White Light Relative Radiation Illuminance Graph



## Specifications

Model	Outer dimensions	Bore dimensions	Thickness	Mounting hole spacing	Mounting hole offset angle	Mounting hole size	LED rows	Power consumption	Best working distance	Connector type
MV-LRSS-H-80-W	Φ80 mm × 18 mm	Φ40 mm	18 mm	Ø56	45°	4-M3	1	8.7 W	30-50 mm	SMR-03V-B
MV-LRSS-H-120-W	Φ120 mm × 18 mm	Φ75 mm	18 mm	Ø90	45°	4-M3	1	13.1 W	30-60 mm	SMR-03V-B
MV-LRSS-H-160-W	Φ160 mm × 18 mm	Φ116 mm	18 mm	Ø130	45°	4-M3	1	17.4 W	30-80 mm	SMR-03V-B
MV-LRSS-H-200-W	Φ200 mm × 34 mm	Φ148 mm	34 mm	Ø160	60°	6-M3	1	21.8 W	30-80 mm	SMR-03V-B
MV-LRSS-H-250-W	Φ250 mm × 34 mm	Φ190 mm	34 mm	Ø210	60°	6-M3	1	26.2 W	60-120 mm	SMR-03V-B
MV-LRSS-H-300-W	Φ300 mm × 34 mm	Φ248 mm	34 mm	Ø260	60°	6-M3	1	30.5 W	60-120 mm	SMR-03V-B

## Dimension



- a: Outer dimensions
- b: Bore dimensions
- c: Thickness
- d: Mounting hole spacing
- e: Mounting hole offset angle
- f: Mounting hole size

Unit:mm

# Bar-Type Lighting

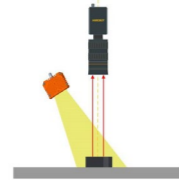


MV-LLDS-H series industrial bar-type lighting, high quality LED particles, stable lighting and high brightness. Various length sizes are available for selection, and the installation is flexible.

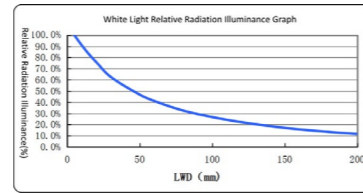
Product



Lighting Signal



White Light Relative Radiation Illuminance Graph

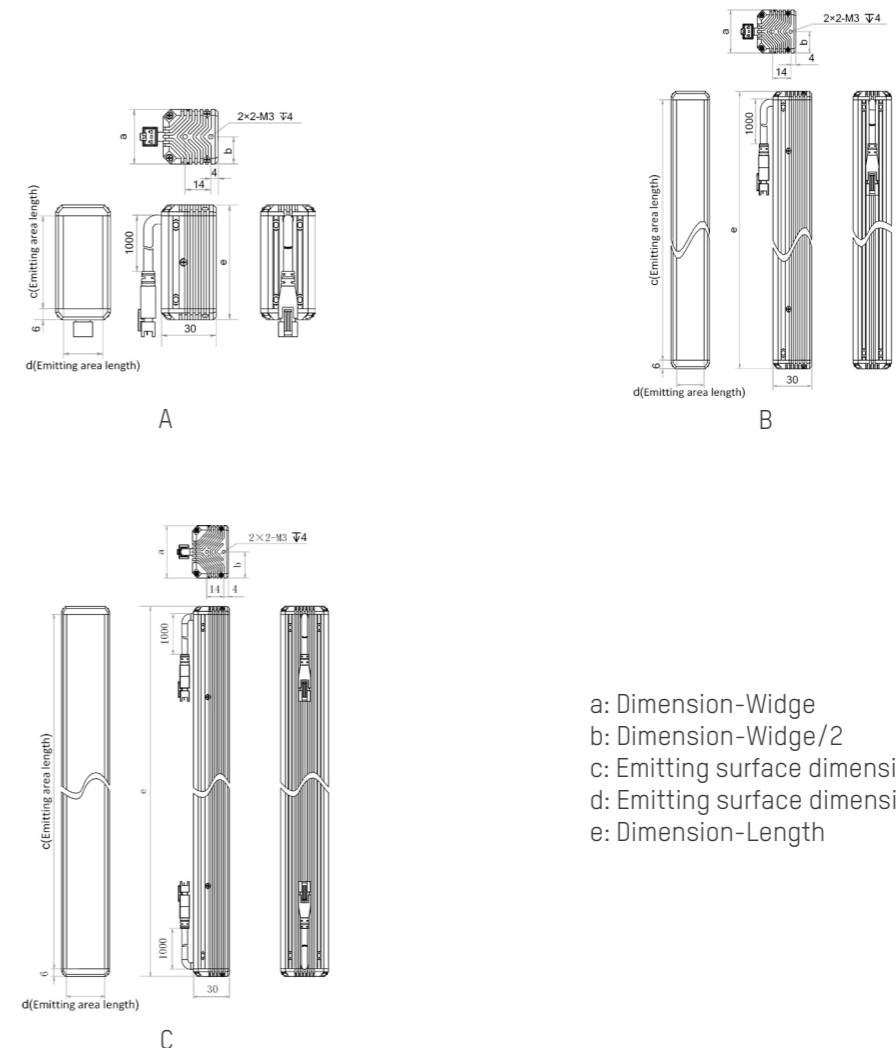


## Specifications

Model	Dimension (Length*Widge*Hight)	Emitting surface dimensions(Length*Widge)	LED rows	Power Consumption	Best working distance	Connector type	Label
MV-LLDS-H-50-30-W	63 mm × 30 mm × 30 mm	51 mm × 21.6 mm	4	3.4 W	30-500 mm	SMR-03V-B	A
MV-LLDS-H-50-40-W	63 mm × 40 mm × 30 mm	51 mm × 31.6 mm	6	5.3 W	30-500 mm	SMR-03V-B	A
MV-LLDS-H-100-30-W	108 mm × 30 mm × 30 mm	96 mm × 21.6 mm	4	6.9 W	30-500 mm	SMR-03V-B	A
MV-LLDS-H-100-40-W	108 mm × 40 mm × 30 mm	96 mm × 31.6 mm	6	10.6 W	30-500 mm	SMR-03V-B	A
MV-LLDS-H-150-30-W	153 mm × 30 mm × 30 mm	141 mm × 21.6 mm	4	10.0 W	30-500 mm	SMR-03V-B	A
MV-LLDS-H-150-40-W	153 mm × 40 mm × 30 mm	141 mm × 31.6 mm	6	15.7 W	30-500 mm	SMR-03V-B	A
MV-LLDS-H-200-30-W	198 mm × 30 mm × 30 mm	186 mm × 21.6 mm	4	13.5 W	30-500 mm	SMR-03V-B	A
MV-LLDS-H-200-40-W	198 mm × 40 mm × 30 mm	186 mm × 31.6 mm	6	20.9 W	30-500 mm	SMR-03V-B	A
MV-LLDS-H-250-30-W	243 mm × 30 mm × 30 mm	231 mm × 21.6 mm	4	16.9 W	30-500 mm	SMR-03V-B	B
MV-LLDS-H-250-40-W	243 mm × 40 mm × 30 mm	231 mm × 31.6 mm	6	26.2 W	30-500 mm	SMR-03V-B	B
MV-LLDS-H-300-30-W	288 mm × 30 mm × 30 mm	276 mm × 21.6 mm	4	20.1 W	30-500 mm	SMR-03V-B	B
MV-LLDS-H-300-40-W	288 mm × 40 mm × 30 mm	276 mm × 31.6 mm	6	31.3 W	30-500 mm	SMR-03V-B	B
MV-LLDS-H-350-30-W	333 mm × 30 mm × 30 mm	321 mm × 21.6 mm	4	23.5 W	30-500 mm	SMR-03V-B	B
MV-LLDS-H-350-40-W	333 mm × 40 mm × 30 mm	321 mm × 31.6 mm	6	36.6 W	30-500 mm	SMR-03V-B	B
MV-LLDS-H-400-30-W	378 mm × 30 mm × 30 mm	366 mm × 21.6 mm	4	26.9 W	30-500 mm	SMR-03V-B	B
MV-LLDS-H-400-40-W	378 mm × 40 mm × 30 mm	366 mm × 31.6 mm	6	41.9 W	30-500 mm	SMR-03V-B	B
MV-LLDS-H-450-30-W	423 mm × 30 mm × 30 mm	411 mm × 21.6 mm	4	30.1 W	30-500 mm	SMR-03V-B	B
MV-LLDS-H-450-40-W	423 mm × 40 mm × 30 mm	411 mm × 31.6 mm	6	47.0 W	30-500 mm	SMR-03V-B	B
MV-LLDS-H-500-30-W	468 mm × 30 mm × 30 mm	456 mm × 21.6 mm	4	33.5 W	30-500 mm	SMR-03V-B	B
MV-LLDS-H-500-40-W	468 mm × 40 mm × 30 mm	456 mm × 31.6 mm	6	52.2 W	30-500 mm	SMR-03V-B	B
MV-LLDS-H-600-30-W	558 mm × 30 mm × 30 mm	546 mm × 21.6 mm	4	40.1 W	30-500 mm	SMR-03V-B	B
MV-LLDS-H-600-40-W	558 mm × 40 mm × 30 mm	546 mm × 31.6 mm	6	62.6 W	30-500 mm	SMR-03V-B	B

Model	Dimension (Length*Widge*Hight)	Emitting surface dimensions(Length*Widge)	LED rows	Power Consumption	Best working distance	Connector type	Label
MV-LLDS-H-700-30-W	648 mm × 30 mm × 30 mm	636 mm × 21.6 mm	4	47.0 W	30-500 mm	SMR-03V-B	B
MV-LLDS-H-700-40-W	648 mm × 40 mm × 30 mm	636 mm × 31.6 mm	6	73.2 W	30-500 mm	SMR-03V-B	B
MV-LLDS-H-800-30-W	738 mm × 30 mm × 30 mm	726 mm × 21.6 mm	4	53.6 W	30-500 mm	SMR-03V-B	B
MV-LLDS-H-800-40-W	738 mm × 40 mm × 30 mm	726 mm × 31.6 mm	6	70.9 W	30-500 mm	SMR-03V-B	B
MV-LLDS-H-900-30-W	828 mm × 30 mm × 30 mm	816 mm × 21.6 mm	4	60.2 W	30-500 mm	SMR-03V-B	B
MV-LLDS-H-900-40-W	828 mm × 40 mm × 30 mm	816 mm × 31.6 mm	6	93.9 W	30-500 mm	Dual-channel SMR-03V-B	B
MV-LLDS-H-1000-30-W	918 mm × 30 mm × 30 mm	906 mm × 21.6 mm	4	67.1 W	30-500 mm	SMR-03V-B	B
MV-LLDS-H-1000-40-W	918 mm × 40 mm × 30 mm	906 mm × 31.6 mm	6	104.5 W	30-500 mm	Dual-channel SMR-03V-B	B
MV-LLDS-H-1200-30-W	1098 mm × 30 mm × 30 mm	1086 mm × 21.6 mm	4	80.3 W	30-500 mm	Dual-channel SMR-03V-B	C
MV-LLDS-H-1200-40-W	1098 mm × 40 mm × 30 mm	1086 mm × 31.6 mm	6	116.4 W	30-500 mm	Dual-channel SMR-04V-B	C
MV-LLDS-H-1400-30-W	1278 mm × 30 mm × 30 mm	1266 mm × 21.6 mm	4	93.7 W	30-500 mm	Dual-channel SMR-05V-B	C
MV-LLDS-H-1400-40-W	1278 mm × 40 mm × 30 mm	1266 mm × 31.6 mm	6	116.5 W	30-500 mm	Dual-channel SMR-06V-B	C

## Dimension



- a: Dimension-Widge
- b: Dimension-Widge/2
- c: Emitting surface dimensions-Length
- d: Emitting surface dimensions-Widge
- e: Dimension-Length

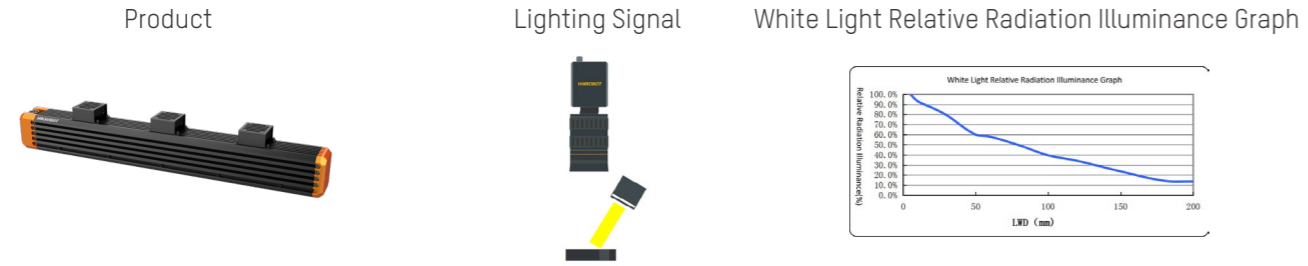
Unit:mm



# ■ Linescan-Type Lighting



MV-LTDS-H industry linescan-type lighting series adopts high brightness and high power LED, Center illuminance ≥ 1 million lux, combination of structural heat dissipation and fan heat dissipation, provide good heat dissipation and working life, flexible installation, efficient focusing. Extension liNE: the body does not have a line, and the powerline accessories with appropriate length are selected according to the demand. Best working distance: 10-200 mm

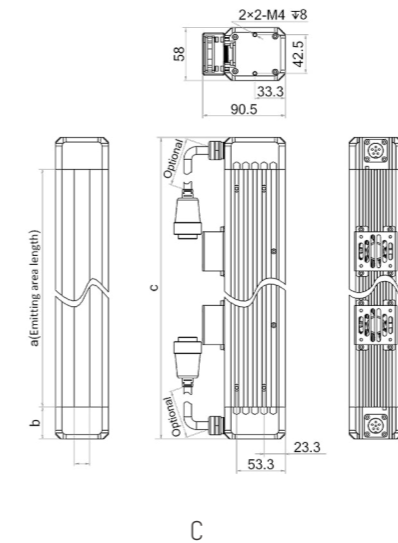
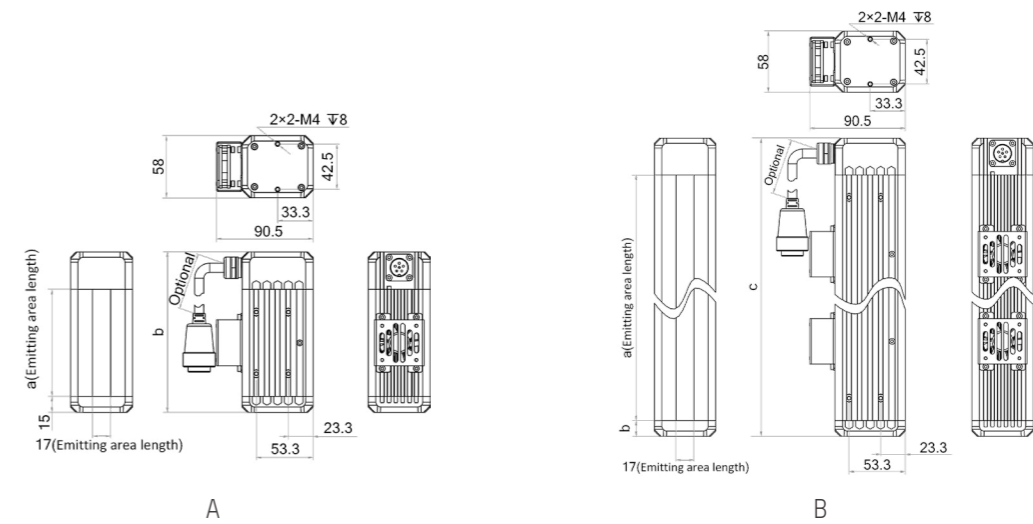


## Specifications

Model	Dimension (Length*Widge*Hight)	Emitting surface dimensions(Length*Widge)	End cap size	Power Consumption	Weight	Connector type	Label
MV-LTDS-H-100-W	150 mm × 58 mm × 90.5 mm	100 mm × 17 mm	15 mm	42 W / 48 VDC	1.09 kg	19M-8H	A
MV-LTDS-H-200-W	250 mm × 58 mm × 90.5 mm	200 mm × 17 mm	15 mm	84 W / 48 VDC	1.6 kg	19M-8H	A
MV-LTDS-H-300-W	350 mm × 58 mm × 90.5 mm	300 mm × 17 mm	15 mm	126 W / 48 VDC	2.11 kg	19M-8H	B
MV-LTDS-H-400-W	450 mm × 58 mm × 90.5 mm	400 mm × 17 mm	15 mm	168 W / 48 VDC	2.62 kg	19M-8H	B
MV-LTDS-H-500-W	550 mm × 58 mm × 90.5 mm	500 mm × 17 mm	15 mm	210 W / 48 VDC	3.14 kg	19M-8H	B
MV-LTDS-H-600-W	650 mm × 58 mm × 90.5 mm	600 mm × 17 mm	15 mm	252 W / 48 VDC	3.65 kg	19M-8H	B
MV-LTDS-H-700-W	750 mm × 58 mm × 90.5 mm	700 mm × 17 mm	15 mm	294 W / 48 VDC	4.16 kg	19M-8H	B
MV-LTDS-H-800-W	850 mm × 58 mm × 90.5 mm	800 mm × 17 mm	15 mm	336 W / 48 VDC	4.68 kg	19M-8H	B
MV-LTDS-H-900-W	970 mm × 58 mm × 90.5 mm	900 mm × 17 mm	35 mm	378 W / 48 VDC	5.19 kg	19M-8H, dual channel	C
MV-LTDS-H-1000-W	1070 mm × 58 mm × 90.5 mm	1000 mm × 17 mm	35 mm	420 W / 48 VDC	5.71 kg	19M-8H, dual channel	C
MV-LTDS-H-1100-W	1170 mm × 58 mm × 90.5 mm	1100 mm × 17 mm	35 mm	462 W / 48 VDC	6.22 kg	19M-8H, dual channel	C
MV-LTDS-H-1200-W	1270 mm × 58 mm × 90.5 mm	1200 mm × 17 mm	35 mm	504 W / 48 VDC	6.73 kg	19M-8H, dual channel	C
MV-LTDS-H-1300-W	1370 mm × 58 mm × 90.5 mm	1300 mm × 17 mm	35 mm	546 W / 48 VDC	7.25 kg	19M-8H, dual channel	C
MV-LTDS-H-1400-W	1470 mm × 58 mm × 90.5 mm	1400 mm × 17 mm	35 mm	588 W / 48 VDC	7.76 kg	19M-8H, dual channel	C
MV-LTDS-H-1500-W	1570 mm × 58 mm × 90.5 mm	1500 mm × 17 mm	35 mm	630 W / 48 VDC	8.27 kg	19M-8H, dual channel	C

Notice:The above models must be used with MV-LE201 series light controller. Interfaces do not include connecting wires, requiring additional configuration.

## Dimension



a: Emitting surface dimensions-Length  
b: End cap size  
c: Dimension-Length

Unit:mm

## Accessories

Model	Description
MV-LW-H-001-1-19M8A	Cable, 19M-8A to 19M-8A, 1m length.
MV-LW-H-003-1-19M8A	Cable, 19M-8A to 19M-8A, 3m length.
MV-LW-H-005-1-19M8A	Cable, 19M-8A to 19M-8A, 5m length.
MV-LW-H-010-1-19M8A	Cable, 19M-8A to 19M-8A, 10m length.
MV-LW-H-015-1-19M8A	Cable, 19M-8A to 19M-8A, 15m length.

## ■ Dot-Type Lighting

### Standard Dot-Type Lighting

MV-LDSS-H standard dot-type Lighting, adopts special light guide and highlight LED lamp bead. new shape and heat dissipation design, constant-current drive, ensure light source has more lasting stability and service life. Best working distance: 65~200 mm.



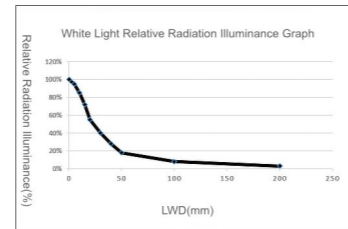
Product



Lighting Signal



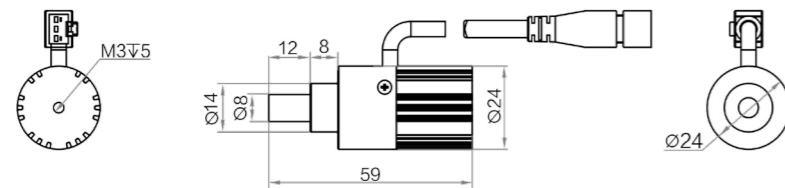
White Light Relative Radiation Illuminance Graph



### Specifications

Model	Dimension	Lighting area dimensions	Power consumption	Input current	Color	Color temperature /Wave length	Center illuminance	Connector type
MV-LDSS-H-8-3-W	59 mm × Ø24 mm	Ø8 mm	2 W	680 mA	White	6000~7000K	> 20K lux@WD=100 mm	SMR-03V-B
MV-LDSS-H-8-3-R	59 mm × Ø24 mm	Ø8 mm	1.7 W	680 mA	Red	620~630 nm	> 7K lux@WD=100 mm	SMR-03V-B
MV-LDSS-H-8-3-B	59 mm × Ø24 mm	Ø8 mm	2.1 W	680 mA	Blue	465~475 nm	> 4K lux@WD=100 mm	SMR-03V-B
MV-LDSS-H-8-3-G	59 mm × Ø24 mm	Ø8 mm	2.1 W	680 mA	Green	515~530 nm	> 25K lux@WD=100 mm	SMR-03V-B
MV-LDSS-H-8-3-Y	59 mm × Ø24 mm	Ø8 mm	2 W	680 mA	Yellow	580~595 nm	> 20K lux@WD=100 mm	SMR-03V-B

### Dimension



Unit:mm

## Spotlight Dot-Type Lighting

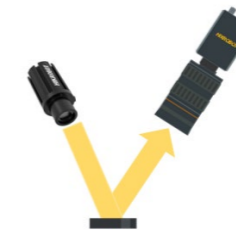


MV-LDFS-H spotlight dot-type lighting, & MV-LDFM-H high brightness dot-type lighting, through special optical lens structure design, cooperate with bright LED light beads to achieve high-spotlight, high-uniformity circular direct lighting effect. small and compact size, constant-current drive, suitable for lighting shooting in scenes with limited installation size and narrow space. Best working distance: 65~200 mm

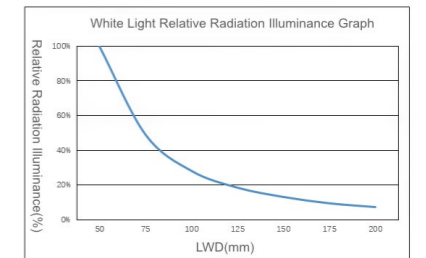
Product



Lighting Signal



White Light Relative Radiation Illuminance Graph

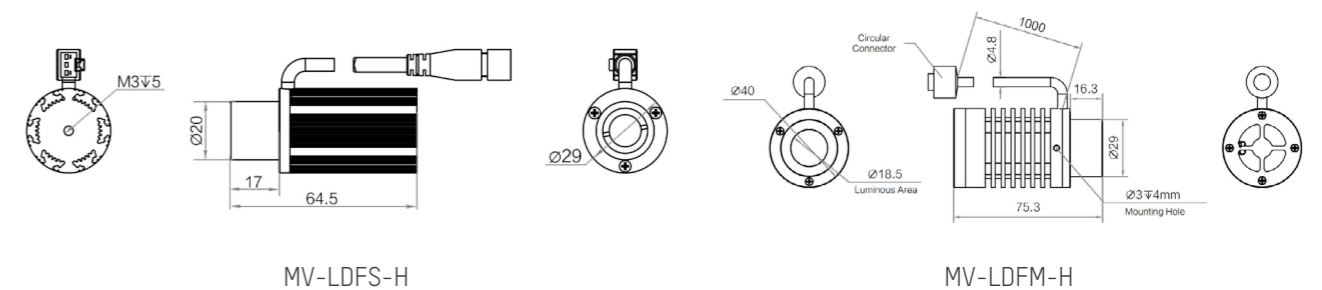


### Specifications

Model	Dimension	Lighting area dimensions	Power consumption	Input current	Color	Color temperature/ Wave length	Center illuminance	Connector type
MV-LDFS-H-20-6-W	64.5 mm × Ø29 mm	Ø20 mm	3.2 W	1100 mA	White	6000~7000K	≥ 140K lux@WD=100 mm	SMR-03V-B
MV-LDFM-H-20-10-W *	75.3 mm × Ø40 mm	Ø18.5 mm	9 W	3 A	White	6000~7000K	> 400K lux@WD=100 mm	12M-5A
MV-LDFM-H-20-5-IR850 *	75.3 mm × Ø40 mm	Ø18.5 mm	5 W	1.5 A	IR850	850nm	> 150m W/cm <sup>2</sup> @WD=100 mm	12M-5A

Notice: \* will be released soon

### Dimension



Unit:mm

# Coaxial-type lighting



MV-LCDS-H standard coaxial lighting, provides uniform illumination in the same direction as the camera, high brightness coaxial lighting, to ensure clear imaging of objects.

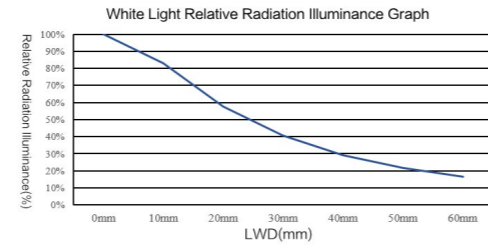
Product



Lighting Signal



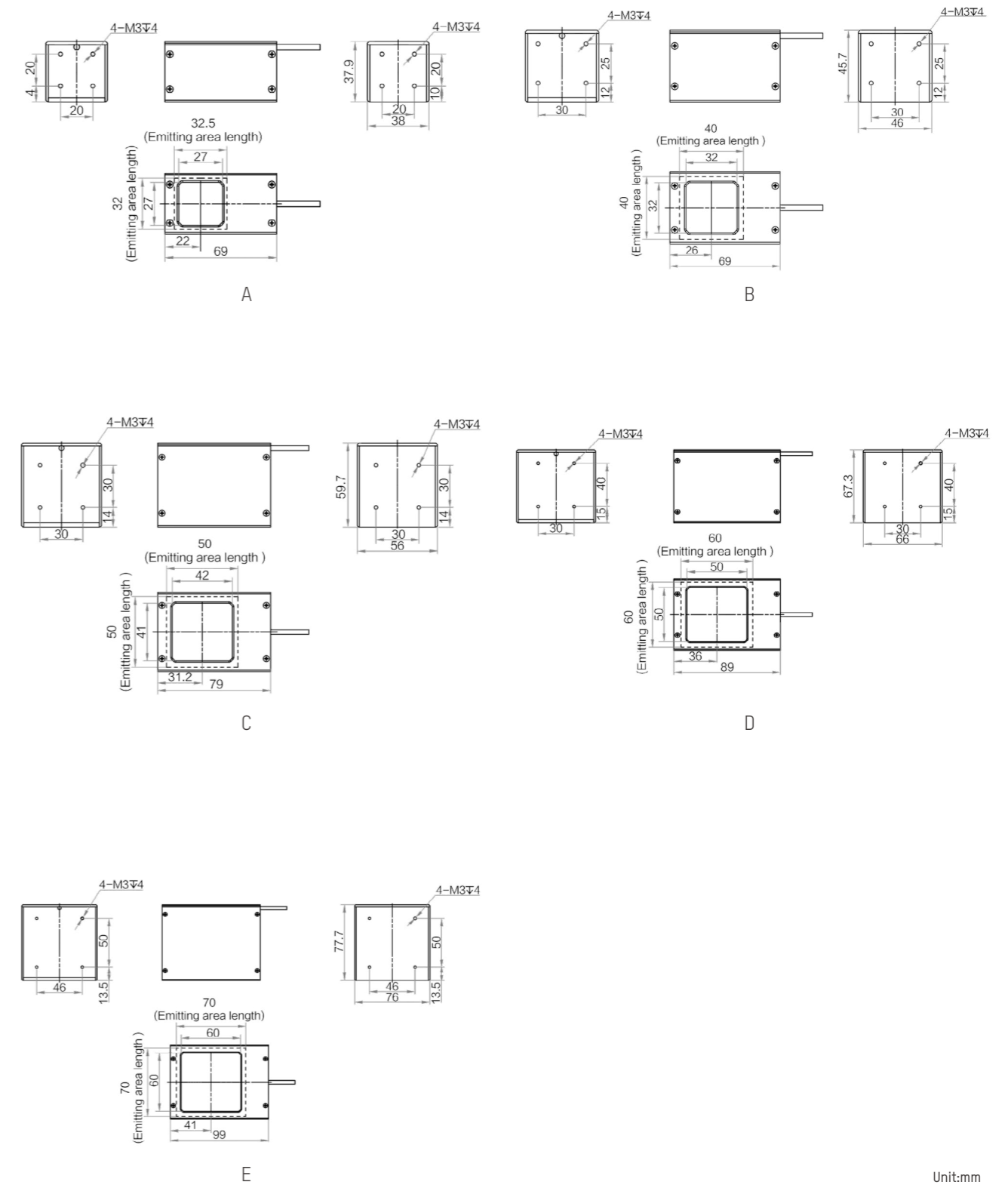
White Light Relative Radiation Illuminance Graph



## Specifications

Model	Dimension	Lighting area dimensions	Power consumption	Color	Color temperature/ Wave length	Connector type	Label
MV-LCDS-H-30-30-W	69 mm × 37.9 mm × 38 mm	32.5 mm × 32 mm	3.3 W	White	6000-7000K	SMR-03V-B	A
MV-LCDS-H-30-30-B	69 mm × 37.9 mm × 38 mm	32.5 mm × 32 mm	3.6 W	Blue	465 nm	SMR-03V-B	A
MV-LCDS-H-30-30-R	69 mm × 37.9 mm × 38 mm	32.5 mm × 32 mm	2.2 W	Red	625 nm	SMR-03V-B	A
MV-LCDS-H-40-40-W	69 mm × 45.7 mm × 46 mm	40 mm × 40 mm	5.4 W	White	6000-7000K	SMR-03V-B	B
MV-LCDS-H-40-40-B	69 mm × 45.7 mm × 46 mm	40 mm × 40 mm	5.9 W	Blue	465 nm	SMR-03V-B	B
MV-LCDS-H-40-40-R	69 mm × 45.7 mm × 46 mm	40 mm × 40 mm	4.1 W	Red	625 nm	SMR-03V-B	B
MV-LCDS-H-50-50-W	79 mm × 59.7 mm × 56 mm	50 mm × 50 mm	5.5 W	White	6000-7000K	SMR-03V-B	C
MV-LCDS-H-50-50-B	79 mm × 59.7 mm × 56 mm	50 mm × 50 mm	7 W	Blue	465 nm	SMR-03V-B	C
MV-LCDS-H-50-50-R	79 mm × 59.7 mm × 56 mm	50 mm × 50 mm	4.7 W	Red	625 nm	SMR-03V-B	C
MV-LCDS-H-60-60-W	89 mm × 67.3 mm × 66 mm	60 mm × 60 mm	9.6 W	White	6000-7000K	SMR-03V-B	D
MV-LCDS-H-60-60-B	89 mm × 67.3 mm × 66 mm	60 mm × 60 mm	8.7 W	Blue	465 nm	SMR-03V-B	D
MV-LCDS-H-60-60-R	89 mm × 67.3 mm × 66 mm	60 mm × 60 mm	6.7 W	Red	625 nm	SMR-03V-B	D
MV-LCDS-H-70-70-W	99 mm × 77.7 mm × 76 mm	70 mm × 70 mm	10.8 W	White	6000-7000K	SMR-03V-B	E
MV-LCDS-H-70-70-IR850	99 mm × 77.7 mm × 76 mm	70 mm × 70 mm	12.6 W	IR850	850 nm	SMR-03V-B	E

## Dimension



Unit:mm



# Flat-type lighting

## Standard Flat Lighting

MV-LBSS-H standard flat lighting, adopts high density array LED layout, provide high brightness, backplane lighting with large coverage. Excellent uniformity, a variety of dimensions are available.



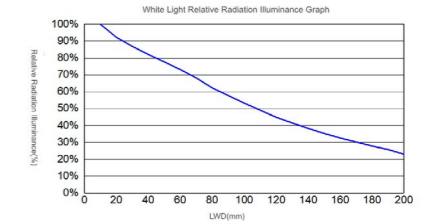
Product



Lighting Signal



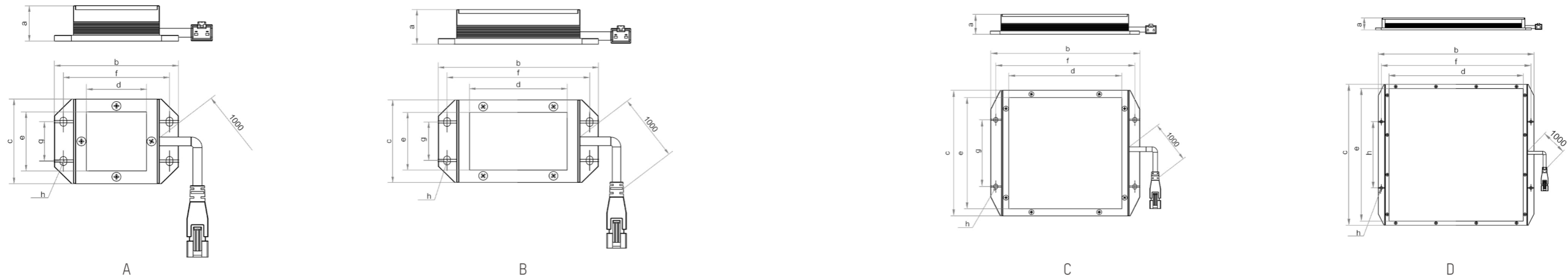
White Light Relative Radiation Illuminance Graph

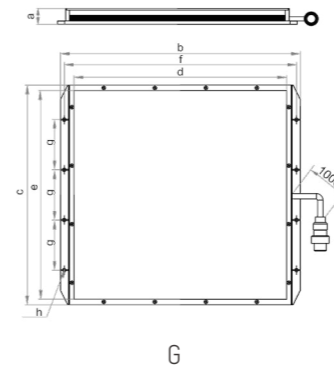
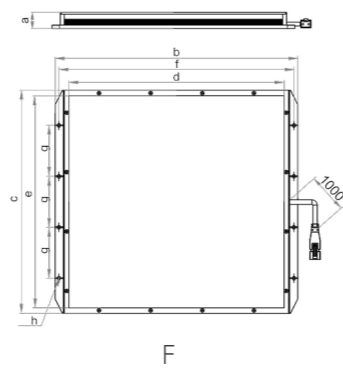
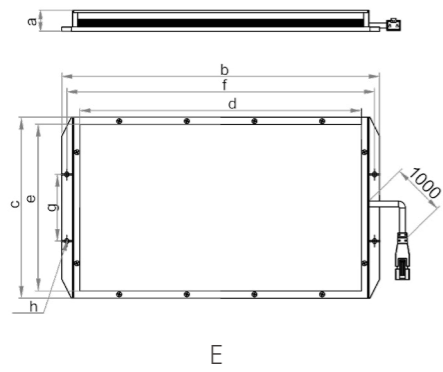


## Specifications

Model	Dimension (Length*Widge*Hight)	Emitting surface dimensions(Length*Widge)	Mounting hole size	Mounting hole spacing (Length;Widge)	Power consumption	Color	Color temperature/ Wave length	Center illuminance	Connector type	Label
MV-LBSS-H-30-30-W	62 mm × 43 mm × 18 mm	30 mm × 30 mm	∅3.4 mm	53 mm;20 mm	2 W	White	6000-7000K	≥ 2700 lux@100 mm	SMR-03V-B	A
MV-LBSS-H-50-30-W	82 mm × 43 mm × 18 mm	50 mm × 30 mm	∅3.4 mm	73 mm;20 mm	3 W	White	6000-7000K	≥ 6000 lux@100 mm	SMR-03V-B	B
MV-LBSS-H-50-50-W	82 mm × 63.2 mm × 18 mm	50 mm × 50 mm	∅3.4 mm	73 mm;30 mm	4W	White	6000-7000K	≥ 10000 lux@100 mm	SMR-03V-B	B
MV-LBSS-H-80-80-W	112 mm × 93 mm × 18 mm	80 mm × 80 mm	∅3.4 mm	103 mm;50 mm	13 W	White	6000-7000K	≥ 20000 lux@100 mm	SMR-03V-B	B
MV-LBSS-H-100-100-W	132 mm × 113 mm × 18 mm	100 mm × 100 mm	∅3.4 mm	123 mm;60 mm	21 W	White	6000-7000K	≥ 40000 lux@100 mm	SMR-03V-B	C
MV-LBSS-H-120-120-W	152 mm × 133 mm × 18 mm	120 mm × 120 mm	∅3.4 mm	143 mm;60 mm	22 W	White	6000-7000K	≥ 31000 lux@100 mm	SMR-03V-B	C
MV-LBSS-H-150-100-W	182 mm × 113 mm × 18 mm	150 mm × 100 mm	∅3.4 mm	173 mm;60 mm	25 W	White	6000-7000K	≥ 40000 lux@100 mm	SMR-03V-B	C
MV-LBSS-H-150-150-W	182 mm × 163 mm × 18 mm	150 mm × 150 mm	∅3.4 mm	173 mm;60 mm	36 W	White	6000-7000K	≥ 60000 lux@100 mm	SMR-03V-B	C
MV-LBSS-H-200-200-W	232 mm × 213 mm × 18 mm	200 mm × 200 mm	∅3.4 mm	223 mm;100 mm	66 W	White	6000-7000K	≥ 80000 lux@100 mm	SMR-03V-B	D
MV-LBSS-H-250-150-W	282 mm × 163 mm × 19 mm	250 mm × 150 mm	∅3.4 mm	273 mm;60 mm	46 W	White	6000-7000K	≥ 60000 lux@100 mm	SMR-03V-B	E
MV-LBSS-H-250-250-W	282 mm × 263 mm × 19 mm	250 mm × 250 mm	∅3.4 mm	273 mm;60 mm	52 W	White	6000-7000K	≥ 50000 lux@100 mm	SMR-03V-B	F
MV-LBSS-H-300-300-W	338 mm × 315 mm × 21 mm	300 mm × 300 mm	∅4.4 mm	326 mm;80 mm	77 W	White	6000-7000K	≥ 60000 lux@100 mm	12M-2A	G
MV-LBSS-H-350-250-W	388 mm × 265 mm × 21 mm	350 mm × 250 mm	∅4.4 mm	376 mm;70 mm	77 W	White	6000-7000K	≥ 60000 lux@100 mm	12M-2A	G
MV-LBSS-H-400-300-W	438 mm × 315 mm × 21 mm	400 mm × 300 mm	∅4.4 mm	426 mm;80 mm	110 W	White	6000-7000K	≥ 60000 lux@100 mm	12M-2A	G

## Dimension





- a: Dimension-Height
- b: Dimension-Length
- c: Dimension-Width
- d: Emitting surface dimensions-Length
- e: Emitting surface dimensions-Width
- f: Mounting hole spacing-Length
- g: Mounting hole spacing-Width
- h: Mounting hole size

Unit:mm

## Flat Lighting With Hole



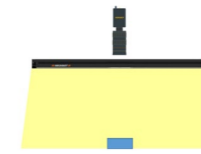
MV-LBES-H flat lighting with hole, Design opening (circular hole/square hole) on the basis of standard flat lighting, achieve high brightness, uniform forward lighting, a variety of dimensions are available.

## Specifications

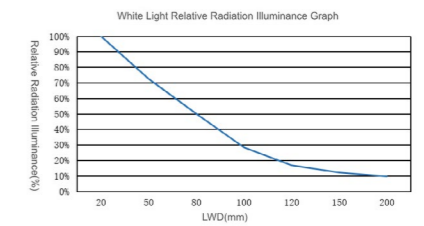
Product



Lighting Signal

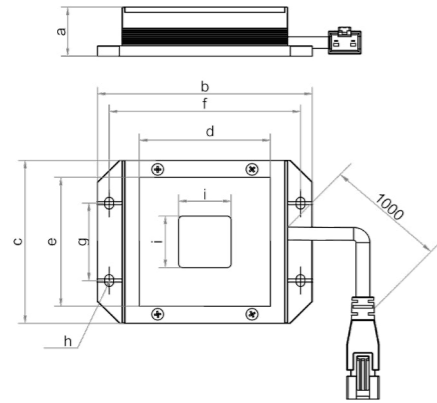


White Light Relative Radiation Illuminance Graph

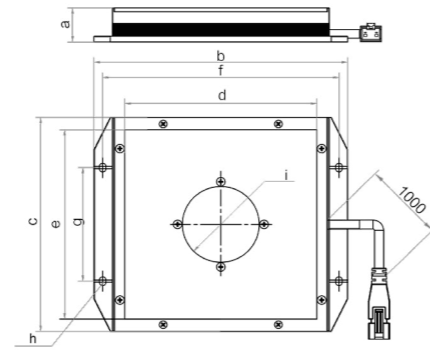


Model	Dimension (Length*Wide*Hight)	Emitting surface dimensions (Length*Wide)	Mounting hole size	Mounting hole spacing (Length;Wide)	Bore dimensions	Power consumption	Color	Color temperature/ Wave length	Center illuminance	Connector type	Label
MV-LBES-H-50-50-W	82 mm × 63.2 mm × 19 mm	50 mm × 50 mm	∅3.4 mm	73 mm;30 mm	20 mm	2 W	White	6000-7000K	≥ 1000 lux@200 mm	SMR-03V-B	A
MV-LBES-H-100-100-W	132 mm × 113 mm × 18 mm	100 mm × 100 mm	∅3.4 mm	123 mm;60 mm	∅40 mm	11 W	White	6000-7000K	≥ 7000 lux@200 mm	SMR-03V-B	B
MV-LBES-H-120-120-W	152 mm × 133 mm × 18 mm	120 mm × 120 mm	∅3.4 mm	143 mm;60 mm	∅40 mm	16 W	White	6000-7000K	≥ 9200 lux@200 mm	SMR-03V-B	B
MV-LBES-H-150-150-W	182 mm × 163 mm × 18 mm	150 mm × 150 mm	∅3.4 mm	173 mm;60 mm	∅45 mm	25 W	White	6000-7000K	≥ 14000 lux@200 mm	SMR-03V-B	B
MV-LBES-H-200-200-W	232 mm × 213 mm × 18 mm	200 mm × 200 mm	∅3.4 mm	223 mm;100 mm	∅45 mm	48 W	White	6000-7000K	≥ 27000 lux@200 mm	SMR-03V-B	C
MV-LBES-H-250-150-W	282 mm × 163 mm × 19 mm	250 mm × 150 mm	∅3.4 mm	273 mm;60 mm	∅50 mm	41 W	White	6000-7000K	≥ 22000 lux@200 mm	SMR-03V-B	D
MV-LBES-H-250-200-W	282 mm × 213 mm × 19 mm	250 mm × 200 mm	∅3.4 mm	273 mm;50 mm	∅60 mm	53 W	White	6000-7000K	≥ 25000 lux@200 mm	SMR-03V-B	E
MV-LBES-H-250-250-W	282 mm × 263 mm × 19 mm	250 mm × 250 mm	∅3.4 mm	273 mm;60 mm	∅50 mm	59 W	White	6000-7000K	≥ 28000 lux@200 mm	SMR-03V-B	E
MV-LBES-H-300-200-W	332 mm × 213 mm × 19 mm	300 mm × 200 mm	∅3.4 mm	323 mm;50 mm	∅60 mm	54 W	White	6000-7000K	≥ 27000 lux@200 mm	SMR-03V-B	E
MV-LBES-H-300-300-W	338 mm × 315 mm × 21 mm	300 mm × 300 mm	∅4.4 mm	326 mm;80 mm	80 mm	74 W	White	6000-7000K	≥ 30000 lux@200 mm	12M-2A	F
MV-LBES-H-400-300-W	438 mm × 315 mm × 21 mm	400 mm × 300 mm	∅4.4 mm	426 mm;80 mm	∅50 mm	83 W	White	6000-7000K	≥ 30000 lux@200 mm	12M-2A	G
MV-LBES-H-450-320-W	488 mm × 335 mm × 21 mm	450 mm × 320 mm	∅4.4 mm	476 mm;80 mm	∅70 mm	198 W	White	6000-7000K	≥ 16000 lux@600 mm	Dual-channel 19M-2A	H
MV-LBES-H-600-400-W	676 mm × 430 mm × 25 mm	600 mm × 400 mm	∅4.4 mm	656 mm;100 mm	∅50 mm	174 W	White	6000-7000K	≥ 13000 lux@600 mm	Dual-channel 19M-2A	I
MV-LBES-H-620-620-W	696 mm × 650 mm × 25 mm	620 mm × 620 mm	∅4.4 mm	676 mm;100 mm	∅50 mm	267 W	White	6000-7000K	≥ 18000 lux@600 mm	Dual-channel 19M-2A	J

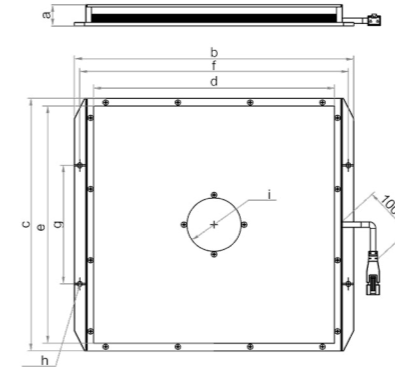
## Dimension



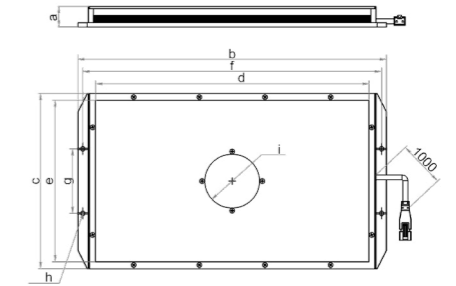
A



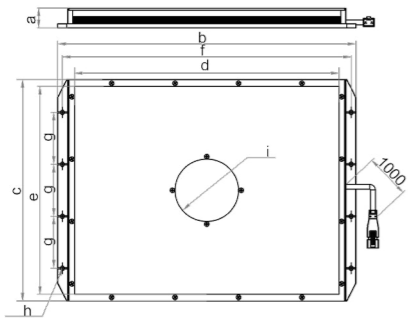
B



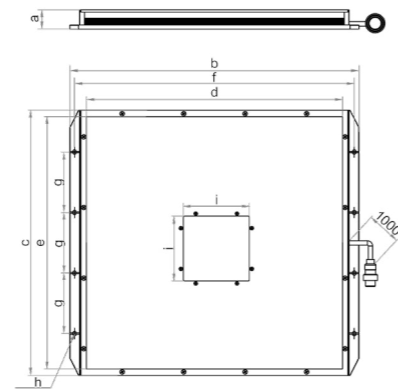
C



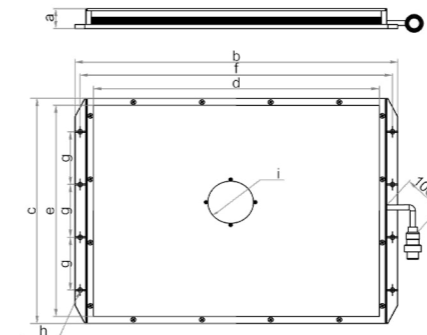
D



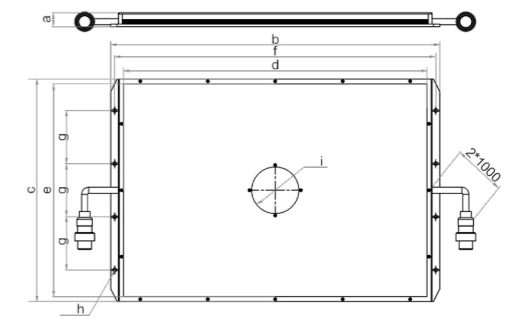
E



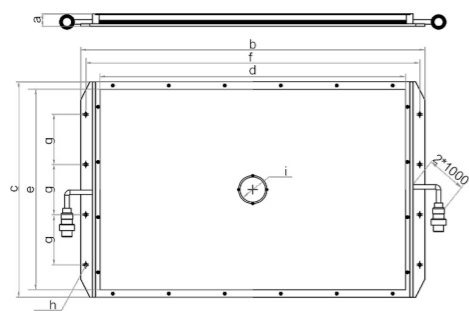
F



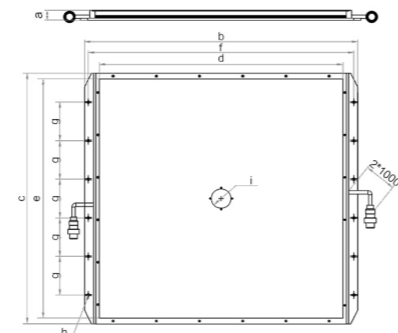
G



H



I



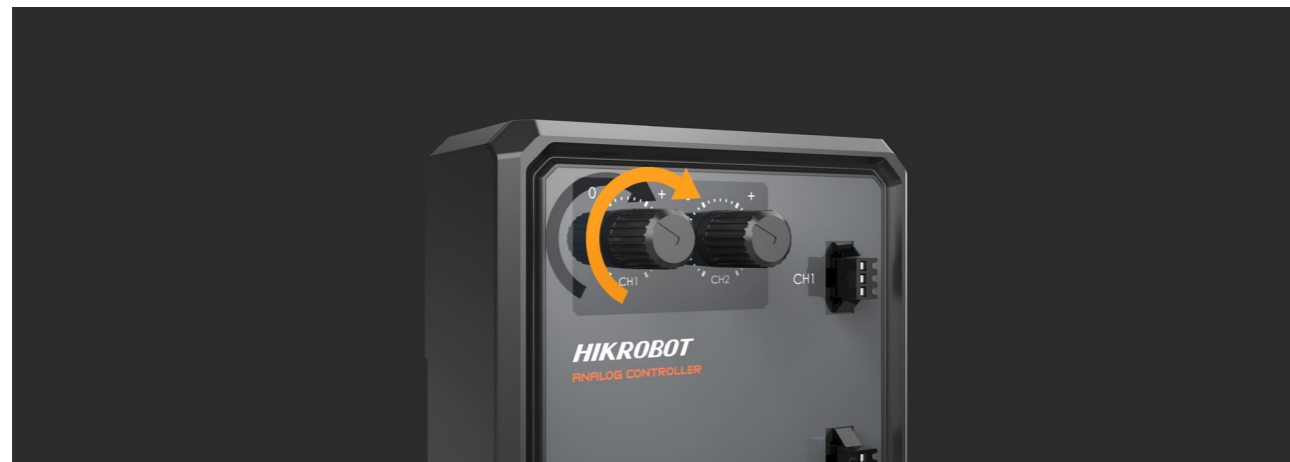
J

- a: Dimension-Height
- b: Dimension-Length
- c: Dimension-Width
- d: Emitting surface dimensions-Length
- e: Emitting surface dimensions-Width
- f: Mounting hole spacing-Length
- g: Mounting hole spacing-Width
- h: Mounting hole size
- i: Bore dimensions

Unit:mm

## Light Controller

Hikrobot MV-LE series light controllers cover MV-LE100 analog constant voltage series, MV-LE200 digital constant voltage series and MV-LE201 digital constant current series by now with brand new family style design, stable and reliable performance, compatible with all light source product series.



Stable Performance, Easy to Control



Equipped with Professional Tools & Accessories

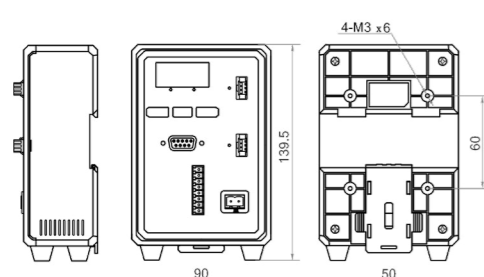
## Digital, Constant Voltage Light Controller

MV-LE201 digital light controller supports a variety of variable current control mode of light source. It adopts control panel buttons and display screen, and provides serial port or network interface communication. It has features of stable performance and flexible functions. The digital light controller helps users realize fast and convenient deployment of light source on site.

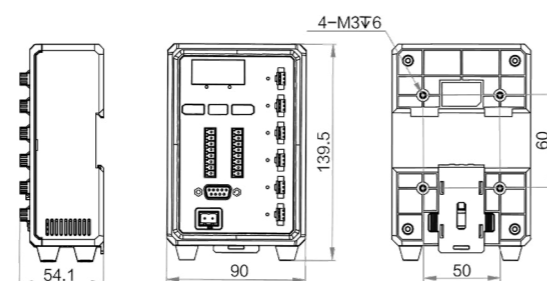
### Specifications

Applicable product	Model	Drive mode	Console interface	Lighting output connector	Output power	Channel	Output current for each channel	Output voltage	Input voltage
Ring lighting, bar lighting, flat lighting, coaxial lighting, etc.	MV-LE200-48W24-2D	Digital, constant voltage	Digital, constant voltage	SMR-03V-BC	48 W max	2	2 A max	24 VDC	24 VDC
	MV-LE200-90W24-6D	Digital, constant voltage	Digital, constant voltage	SMR-03V-BC	90 W max	6	3 A max	24 VDC	24 VDC
	MV-LE200-200W24-4TD	Digital, constant voltage	RJ45 network interface, DB9F serial port	SMR-03V-BC	200 W max	4	3 A max	24 VDC	100-240 VAC, 50/60 Hz
	MV-LE200-120W24-4TD	Digital, constant voltage	RJ45 network interface, DB9F serial port	SMR-03V-BC	120 W max	4	3 A max	24 VDC	100-240 VAC, 50/60 Hz

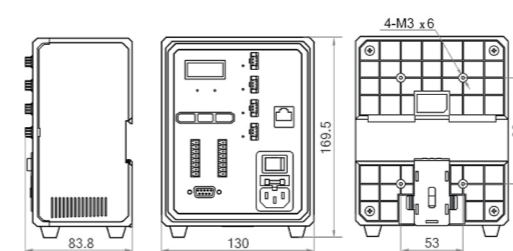
### Dimension



MV-LE200-48W24-2D



MV-LE200-90W24-6D



MV-LE200-200W24-4TD, MV-LE200-120W24-4TD

Unit:mm



# ■ Digital Constant Current Light Controller

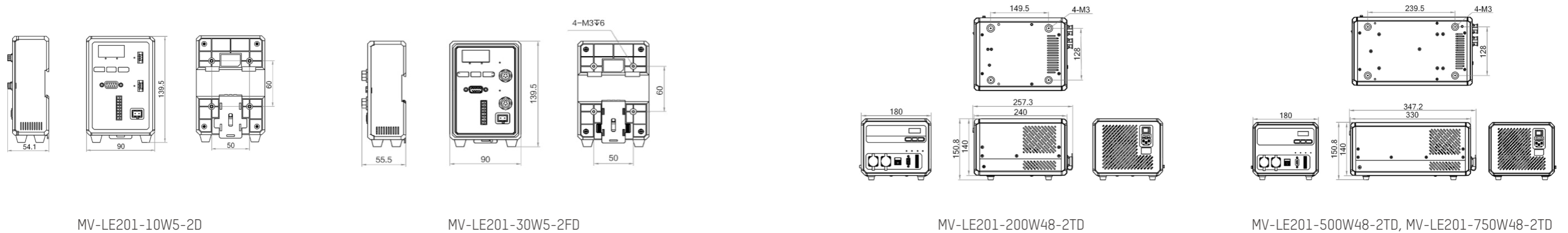


MV-LE201 digital light controller supports a variety of variable current control mode of light source. It adopts control panel buttons and display screen, and provides serial port or network interface communication. It has features of stable performance and flexible functions. The digital light controller helps users realize fast and convenient deployment of light source on site.

## Specifications

Applicable product	Model	Drive mode	Console interface	Lighting output connector	Output power	Channel	Output current for each channel	Output current	Input voltage
Spot lighting	MV-LE201-10W5-2D	Digital, constant current	DB9F serial port	SMR-03V-BC	10 W max	2	1 A max	2 A max	24 VDC
	MV-LE201-30W5-2FD	Digital, constant current	DB9F serial port	12M-5F	30 W max	2	3 A MAX	3A MAX	24 VDC
Line-scan lighting	MV-LE201-200W48-2TD	Digital, constant current	RJ45 network interface, DB9F serial port	19M-8H	200 W max	2	4 A max	4 A max	100-240 VAC, 50/60 Hz
	MV-LE201-500W48-2TD	Digital, constant current	RJ45 network interface, DB9F serial port	19M-8H	500 W max	2	8 A max	10 A max	100-240 VAC, 50/60 Hz
	MV-LE201-750W48-2TD	Digital, constant current	RJ45 network interface, DB9F serial port	19M-8H	750 W max	2	8 A max	15 A max	100-240 VAC, 50/60 Hz

## Dimension



Unit:mm

# ■ Analog, Constant Voltage Series Light Controller

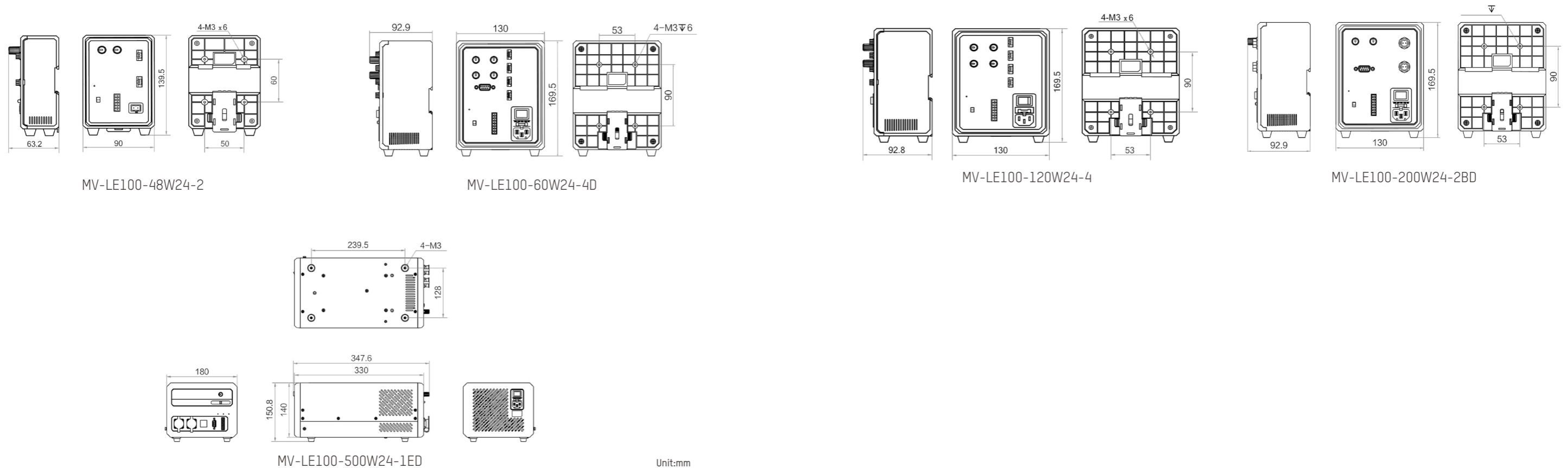


MV-LE100 analog light controller supports infinitely variable brightness and outputting multichannel light sources. It provides trigger input connectors, device management interface, etc. The analog light controller helps users realize fast and convenient deployment of vision light source on site.

## Specifications

Applicable product	Model	Drive mode	Dimming mode	Lighting output connector	Output power	Channel	Output current for each channel	Output voltage	Input voltage
	MV-LE100-48W24-2	Analog, constant voltage	Control panel (knob)	SMR-03V-BC	48 W max	2	1 A max	24 VDC	24 VDC
Ring lighting, bar lighting, flat lighting, coaxial lighting, etc.	MV-LE100-60W24-4D	Analog, constant voltage	Control panel (knob), software (serial port)	SMR-03V-BC	60 W max	4	1.2 A max	24 VDC	100~240 VAC, 50/60 Hz
	MV-LE100-120W24-4	Analog, constant voltage	Control panel (knob)	SMR-03V-BC	120 W max	4	3 A max	24 VDC	100~240 VAC, 50/60 Hz
	MV-LE100-200W24-2BD	Analog, constant voltage	Control panel (knob), software (serial port)	12M-2F	200 W max	2	8.4 A max	24 VDC	100~240 VAC, 50/60 Hz
Large-Size flat lighting	MV-LE100-500W24-1ED	Analog, constant voltage	Control panel (knob)	SMR-03V-BC	500 W max	1	5 A max	24 VDC	100~240 VAC, 50/60 Hz

## Dimension



Unit:mm

# Cables

To help industrial cameras work more stable, Hikrobot provides high-quality cable products including power line, I/O control line, data transmission line to fulfill diverse application needs.



## Multiple types, diversified interface

The power cables covers various aviation connector cables such as P7 6pin/P10 12pin and M12. Data cable includes GigE/10GigE/USB3.0/Camera Link/ CoaXPress and other interfaces to match with different types of industrial cameras.

6pin P7      Camera Link      CoaXPress

Multiple types, diversified interface



Comprehensive performance, adapt to diverse scenarios

## Data Cable



### Specifications

Interface type	Wire type	Model	End A connector	End B connector	Length
USB3.0 Cables	Standard	MV-ACU3-MBMs-AM-ST	Micro-B male (with screw)	A male	0.5m/1m/2m/3m
	Standard (angled)	MV-ACU3-MBMs(down)-AM-ST	Micro-B male (with screw), Angle (down)	A male	0.5m/1m/2m/3m
	Flexible	MV-ACU3-MBMs-AM-FL	Micro-B male (with screw)	A male	3m

Interface type	Wire type	Model	End A connector	End B connector	Length
USB3.0 Cables	Flexible(high shield)	MV-ACU3-MBMs-AM-FL(EMC)	Micro-B male (with screw)	A male	3m
	Super flexible long distance (AOC)	MV-ACU3-MBMs-AM-SF	Micro-B male (with screw)	A male	3m/5m/7m/10m/15m/20m
	Standard	MV-ACG-RJ45s-RJ45-ST	RJ45 (with locking stud)	RJ45	1m/3m/5m/7m/10m/15m/30m/60m
GigE Cables	High flexible	MV-ACG-RJ45s-RJ45-HF	RJ45 (with locking stud)	RJ45	3m/5m/7m/10m/15m/30m
	Super flexible	MV-ACG-RJ45s-RJ45-SF	RJ45 (with locking stud)	RJ45	3m/5m/7m/10/15m
	Standard (angled)	MV-ACG-RJ45s(up)-RJ45-ST	RJ45 (with locking stud), Bend(up)	RJ45	3m/5m/15m
	High flexible (angled)	MV-ACG-RJ45s(up)-RJ45-HF	RJ45 (with locking stud), Bend(up)	RJ45	3m/5m/15m
10GigE Cables	Standard	MV-AC10G-RJ45s-RJ45-ST	RJ45 (with locking stud)	RJ45	3m/5m/10m
	High flexible	MV-AC10G-RJ45s-RJ45-HF	RJ45 (with locking stud)	RJ45	3m/5m/10m
10GigE Optical Fiber Jumper Cables	Standard	MV-AC10G-2LC-2LC-ST	2LC	2LC	3m/5m/10m
10GigE Optical Fiber Module	Standard SPF+ module	MV-AC10G-SFP-850-LC	2LC	2LC	-
100G Optical Fiber Jumper	QSFP28 jumper	MV-AC100G-MPO-MPO-ST *	MPO	MPO	3m/5m/10m
100G Optical Fiber Module	QSFP28 module	MV-AC100G-QSFP28-850 *	MPO	-	-
Camera Link Cables	Standard	MV-ACCL-SDR-SDR-ST	SDR26	SDR26	3m/5m/7m
	High flexible	MV-ACCL-SDR-SDR-HF	SDR26	SDR26	3m/5m/7m
	High flexible	MV-ACCL-SDR-MDR-HF	SDR26	MDR26	3m/5m/7m
	Super flexible long distance (AOC)	MV-ACCL-SDR-SDR-AOC-xm-Base *	SDR (HDR)	SDR (HDR)	8m/10m/15m/20m
	Super flexible long distance (AOC)	MV-ACCL-SDR-SDR-AOC- xm-Full *	SDR (HDR)	SDR (HDR)	8m/10m/15m/20m
	Super flexible long distance (AOC)	MV-ACCL-SDR-MDR-AOC-xm-Base *	SDR (HDR)	MDR	8m/15m
	Super flexible long distance (AOC)	MV-ACCL-SDR-MDR-AOC-xm-Full *	SDR (HDR)	MDR	8m/15m
CoaXPress Cables	Standard CXP-6	MV-ACXP6-DIN-DIN-ST	Din 1.0/2.3	Din 1.0/2.3	3m/5m/10m
	Standard CXP-6	MV-ACXP6-DIN-BNC-ST	Din 1.0/2.3	BNC	3m/5m/10m
	High flexible CXP-6	MV-ACXP6-DIN-DIN-HF	Din 1.0/2.3	Din 1.0/2.3	3m/5m/10m
	High flexible CXP-6	MV-ACXP6-DIN-BNC-HF	Din 1.0/2.3	BNC	3m/5m/10m
	High flexible CXP-6	MV-ACXP6-DIN-HDBNC-HF	Din 1.0/2.3	HD-BNC	3m/5m/10m
	Standard CXP-12	MV-ACXP12-HDBNC-HDBNC-ST	HD-BNC	HD-BNC	3m/5m/10m
High flexible CXP-12	MV-ACXP12-HDBNC-HDBNC-HF	HD-BNC	HD-BNC	3m/5m/10m	

Notice: \* will be released soon  
x: represents the length of the cable

## ■ Camera Power Supply & IO Line



### Specifications

Interface type	Wire type	Model	End A connector	End B connector	Length
P7 6pin I/O & Power Cables	Standard	MV-ACP-H6p-open-ST	6pin P7 female	open	1m/3m/5m/7m/10m/15m/30m/60m
	High flexible	MV-ACP-H6p-open-HF	6pin P7 female	open	3m/5m/7m/10m/15m/30m
	Super flexible	MV-ACP-H6p-open-SF	6pin P7 female	open	3m/5m/7m/10m/15m
	Standard (angled)	MV-ACP-H6p(left)-open-ST	6pin P7 female(left)	open	3m/5m/15m
	High flexible (angled)	MV-ACP-H6p(left)-open-HF	6pin P7 female(left)	open	3m/5m/15m
P10 12pin I/O & Power Cables	Standard	MV-ACP-H12p-open-ST	12pin P10 female	open	3m/5m/7m/10m/20m
	High flexible	MV-ACP-H12p-open-HF	12pin P10 female	open	3m/5m/7m/10m
Frame Grabber I/O Trigger Line	Standard (high shield)	MV-ACP-DB9F-open-ST(EMC)	DB9F	open	3m/5m/7m
		MV-ACP-DB15F-open-ST(EMC) *	DB15F	open	3m/5m/7m
Frame Grabber Internal I/O Cascade Line	Standard	MV-ACP-TJC8x7-FL-0.6m	TJC8 9pin female(7 ports)		0.6m

Notice: \* will be released soon

## ■ Industrial Camera Client and Software Development Kit

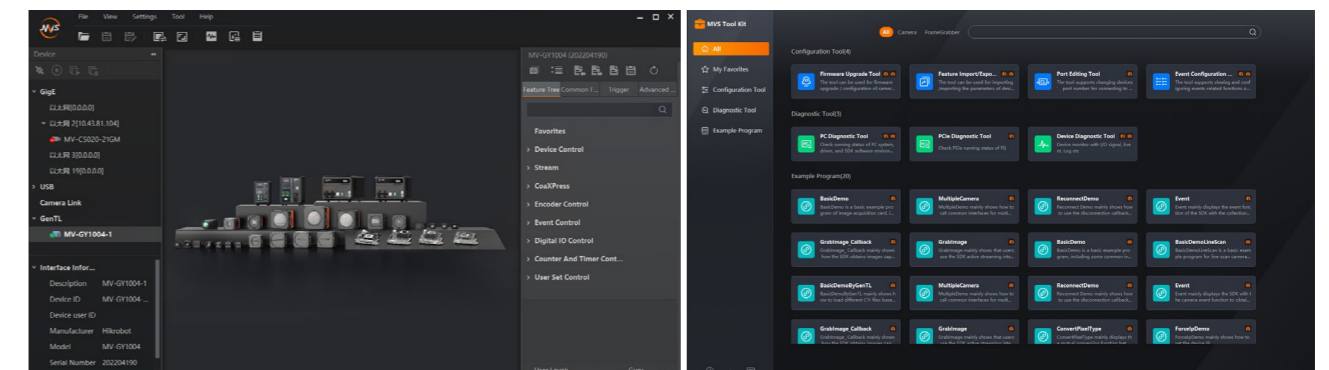
The industrial camera client and software development kit is based on the GenICam standard and follows the GigE Vision, USB3 Vision, Camera Link, CoaXPress and XoFLink protocols. The user can connect the industrial camera through the client or SDK, collect the camera image, and obtain and set the camera parameters. The software development kit contains SDK and sample programs, which can meet the diverse needs of users for secondary development.

### Performance characteristics

- High-performance GEV and U3V drivers improve image data transmission and processing capabilities.
- Provide GenTL standard library to access to industrial cameras, greatly reducing the development workload.
- Abundant API interfaces are convenient for users to carry out secondary development quickly and effectively. Provide deep customization of API interfaces and UI interfaces at the same time.
- Integrate a variety of ISP algorithms to help users get the most appropriate image through image preprocessing
- Support the matching access of third-party software and provide DirectShow development kit
- Diverse sample programs, source code, and development documentation for quick access.
- Provide frame grabber SDK interface library and sample programs to support the control and image collection of self-developed frame grabber.

Supported Platforms	Supported Programming Languages
Windows 32/64bits X86/ARM Linux 32/64bits MacOS 64bits Android	C
	C++
	C#
	VB.NET
	PYTHON
	Delphi
	JAVA

### MVS



### Download

Industrial camera client and software development kit can be downloaded by visiting the website of Hikrobot.  
<http://www.hikrobotics.com/service/soft.htm?type=1>



Here is the QR code for the download link:



# ■ Parameter Interpretation

## Sensor size

The diagonal size of CMOS, pixel size and resolution together determine the sensor size of camera.

---

## Pixel size

The size of 1 pixel which is the smallest unit that makes up an image.

---

## Shutter mode

Divided into global shutter and rolling shutter: the former starts and ends exposure for each line at the same time, and after the exposure is completed, the data is read out line by line; the latter reads out the data immediately after the end of a line of exposure, and the next line starts after it is completely read out.

---

## Resolution

Determines the fineness of the image. In general, the higher the resolution of the image, the more pixels it contains, and the clearer the image will be.

---

## Frame rate

The number of frames transmitted per second, in unit of fps.

---

## Exposure time

The time that light hits the photosensitive chip from the time the shutter is open to the time it is closed. The brightness of the image can be changed by adjusting the exposure time.

---

## Line rate

The number of horizontal scans per second, in unit of Hz.

---

## Spectral range

responsive wavelength range of infrared camera.

---

## NETD

The minimum temperature difference that the infrared camera can distinguish, in unit of mk.

---

## Interconnect

The interface between the frame grabber and the industrial computer, commonly used interfaces include PCI, PCI-E.

## Delivery bandwidth

The data transmission performance between the frame grabber and the industrial computer, the indicators include bus width, bus clock, and maximum transmission rate. The wider the bus width, the greater the clock frequency, and the faster the transmission rate, the more data transmitted per unit time

---

## Camera connection speed

Data transmission speed between camera and industrial computer or frame grabber

---

## Focal length

The distance from the rear principal plane of the optical system to the imaging plane, indicating the ability of the optical system to gather light

---

## F No.

The aperture on the camera lens is opened to the maximum and minimum range. Aperture is a device used to control the amount of light that passes through the lens and enters the photosensitive surface of the camera

---

## Distortion

The degree of distortion of the image formed by the optical system on the object relative to the object itself

---

## Field of View(FOV)

Taking the lens as the vertex, the angle formed by the two edges of the maximum range where the object image of the measured target can pass through the lens.

---

## M.O.D (m)

The closest acquisition distance of the lens.

---

## Filter thread

The type of thread used to mount the filter on the front of the lens.

---

## Lens mount

The type of mechanical interface the camera uses to connect the lens.



Hikrobot

Vision for Imagination

**MACHINE VISION PRODUCT CATALOG**

Distributed by



***HIKROBOT***

No.399 Danfeng Road, Binjiang District,

Hangzhou 310052, China

Tel: 400-989-7998

[www.hikrobotics.com](http://www.hikrobotics.com)

V.121.EN.23Q4.1

---

Copyright Hikrobot

Hangzhou Hikrobot Co., Ltd. All Rights Reserved. Hangzhou Hikrobot Co., Ltd. does not tolerate any infringement. Any organization or individual may not imitate or reproduce in whole or in part of the content. The data herein is based on Hikrobot's internal evaluation. Actual data may vary depending on specific configuration and operating condition. The information herein is subject to change without notice. All the content has been checked conscientiously. Nevertheless, Hikrobot shall not be liable to damages resulting from errors, inconsistencies or omissions.